

Using New CP Features in z/VM 5.3

**Session 9111 – SHARE 109 – San Diego, CA
August, 2007**

Romney White

romneyw@us.ibm.com

IBM System z Software – Strategy and Design

Trademarks

The following are trademarks of the International Business Machines Corporation in the United States and/or other countries.

DB2*	System z
DB2 Connect	Tivoli*
DB2 Universal Database	VM/ESA*
e-business logo	WebSphere*
GDPS*	z/OS*
Geographically Dispersed Parallel Sysplex	z/VM*
HyperSwap	zSeries*
IBM*	
IBM eServer	
IBM logo*	
Parallel Sysplex*	

* Registered trademarks of IBM Corporation

The following are trademarks or registered trademarks of other companies.

Intel is a registered trademark of the Intel Corporation in the United States, other countries or both.

Linux is a registered trademark of Linus Torvalds in the United States, other countries, or both.

Java and all Java-related trademarks and logos are trademarks of Sun Microsystems, Inc., in the United States and other countries.

UNIX is a registered trademark of The Open Group in the United States and other countries.

Microsoft, Windows and Windows NT are registered trademarks of Microsoft Corporation.

SET and Secure Electronic Transaction are trademarks owned by SET Secure Electronic Transaction LLC.

* All other products may be trademarks or registered trademarks of their respective companies.

Notes:

Performance is in Internal Throughput Rate (ITR) ratio based on measurements and projections using standard IBM benchmarks in a controlled environment. The actual throughput that any user will experience will vary depending upon considerations such as the amount of multiprogramming in the user's job stream, the I/O configuration, the storage configuration, and the workload processed. Therefore, no assurance can be given that an individual user will achieve throughput improvements equivalent to the performance ratios stated here.

IBM hardware products are manufactured from new parts, or new and serviceable used parts. Regardless, our warranty terms apply.

All customer examples cited or described in this presentation are presented as illustrations of the manner in which some customers have used IBM products and the results they may have achieved. Actual environmental costs and performance characteristics will vary depending on individual customer configurations and conditions.

This publication was produced in the United States. IBM may not offer the products, services or features discussed in this document in other countries, and the information may be subject to change without notice. Consult your local IBM business contact for information on the product or services available in your area.

All statements regarding IBM's future direction and intent are subject to change or withdrawal without notice, and represent goals and objectives only.

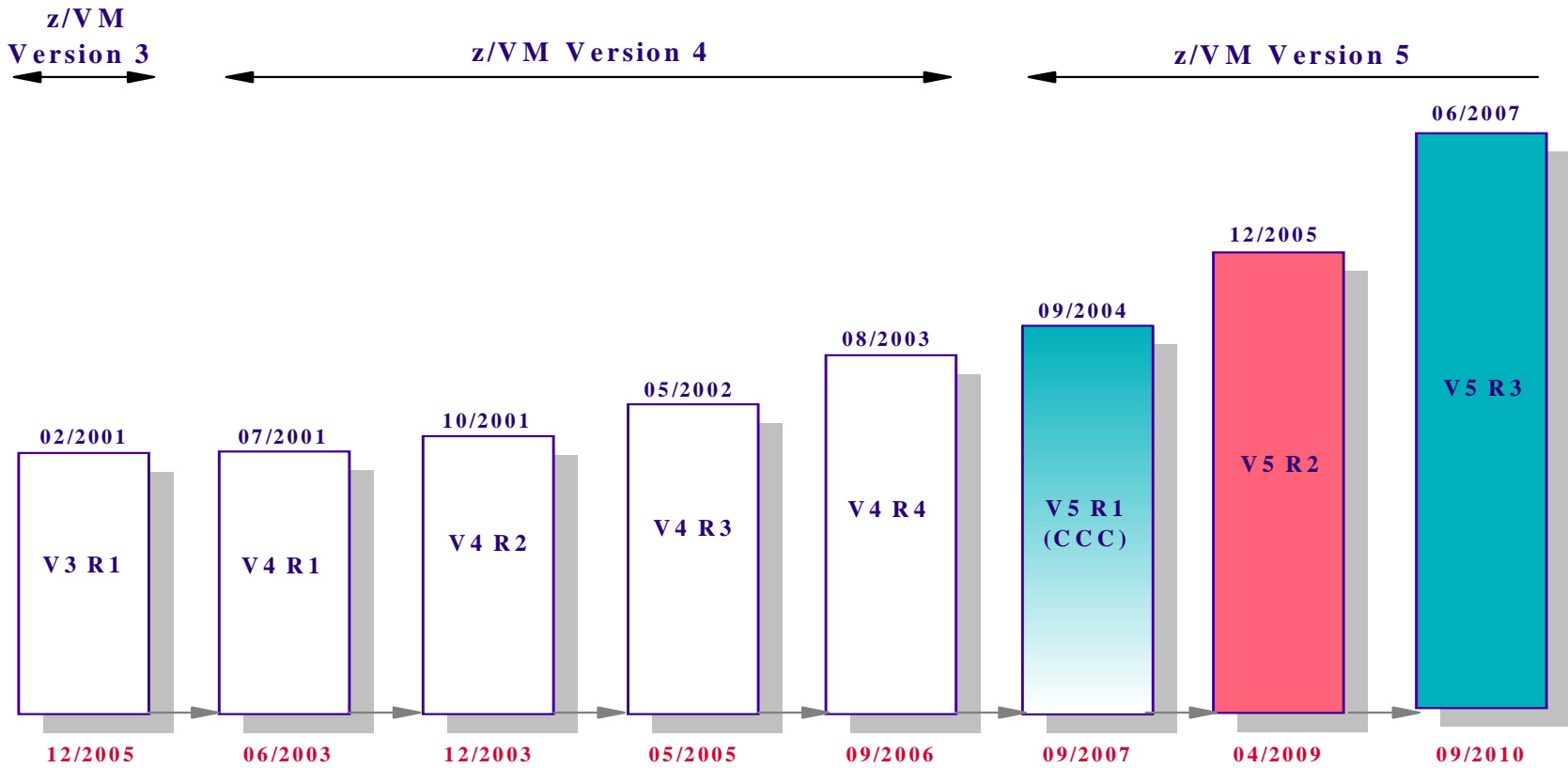
Information about non-IBM products is obtained from the manufacturers of those products or their published announcements. IBM has not tested those products and cannot confirm the performance, compatibility, or any other claims related to non-IBM products. Questions on the capabilities of non-IBM products should be addressed to the suppliers of those products.

Prices subject to change without notice. Contact your IBM representative or Business Partner for the most current pricing in your geography.

Agenda

- **Product Evolution**
- **z/VM 5.3 CP Enhancements Overview**
- **z/VM 5.3 CP Enhancements**
 - ▶ **Scalability and Constraint Relief**
 - ▶ **Virtualization**
 - ▶ **Security**
 - ▶ **Virtual Networking**
 - ▶ **Systems Management**
 - ▶ **Miscellaneous**
- **Statements of Direction**

z/VM Evolution



- Withdrawn from marketing and no longer serviced
- Withdrawn from marketing
- Currently being marketed

XX/XX - General availability (top of box)
 XX/XX - Service Discontinued (bottom of box)

z/VM 5.3 CP Enhancements Overview

- **Scalability and Constraint Relief**
 - ▶ Support 256 GB of real storage and 8 TB of virtual storage
 - ▶ Allow 32 real processors in a single z/VM image
 - ▶ Collaborative memory management
 - ▶ HyperPAV support for IBM System Storage DS8000
 - ▶ Enhanced FlashCopy support
 - ▶ SAN Volume Controller support
- **Security**
 - ▶ Enhanced system security with longer passwords
 - ▶ Tape data protection with support for encryption
- **Systems Management**
 - ▶ Enhanced guest configuration
 - ▶ Asynchronous CP command responses
 - ▶ VM event notification
 - ▶ z/VM integrated systems management
- **Virtualization**
 - ▶ Guest support for IBM System z specialty engines
 - ▶ Enhanced Virtual Switch and Guest LAN usability
 - ▶ Guest support for Modified Indirect Data Address Words (MIDAWs)
 - ▶ Guest ASCII console support
 - ▶ Enhanced SCSI support
- **Virtual Networking**
 - ▶ Improved virtual network management
 - ▶ Link aggregation
- **Miscellaneous**
 - ▶ Shutdown message time stamps
 - ▶ SYSEVENT Query Virtual Server
 - ▶ TRSOURCE for LDEVs
 - ▶ QUERY IUCV

Scalability and Constraint Relief

- **Support 256 GB of real storage and 8 TB of virtual storage**
- **Allow 32 real processors in a single z/VM image**
- **Collaborative memory management**
- **HyperPAV support for IBM System Storage DS8000**
- **Enhanced FlashCopy support**
- **SAN Volume Controller support**

Scalability and Constraint Relief ...

- **Support 256 GB of Central Storage and 8 TB of virtual storage**
 - ▶ **PGMBKs (Page Management Blocks) moved above 2G**
 - **Relieves constraint on total amount of virtual storage**
 - ▶ **Contiguous frame management improvements**
- **Expanded storage limit remains at 128 GB**

Scalability and Constraint Relief ...

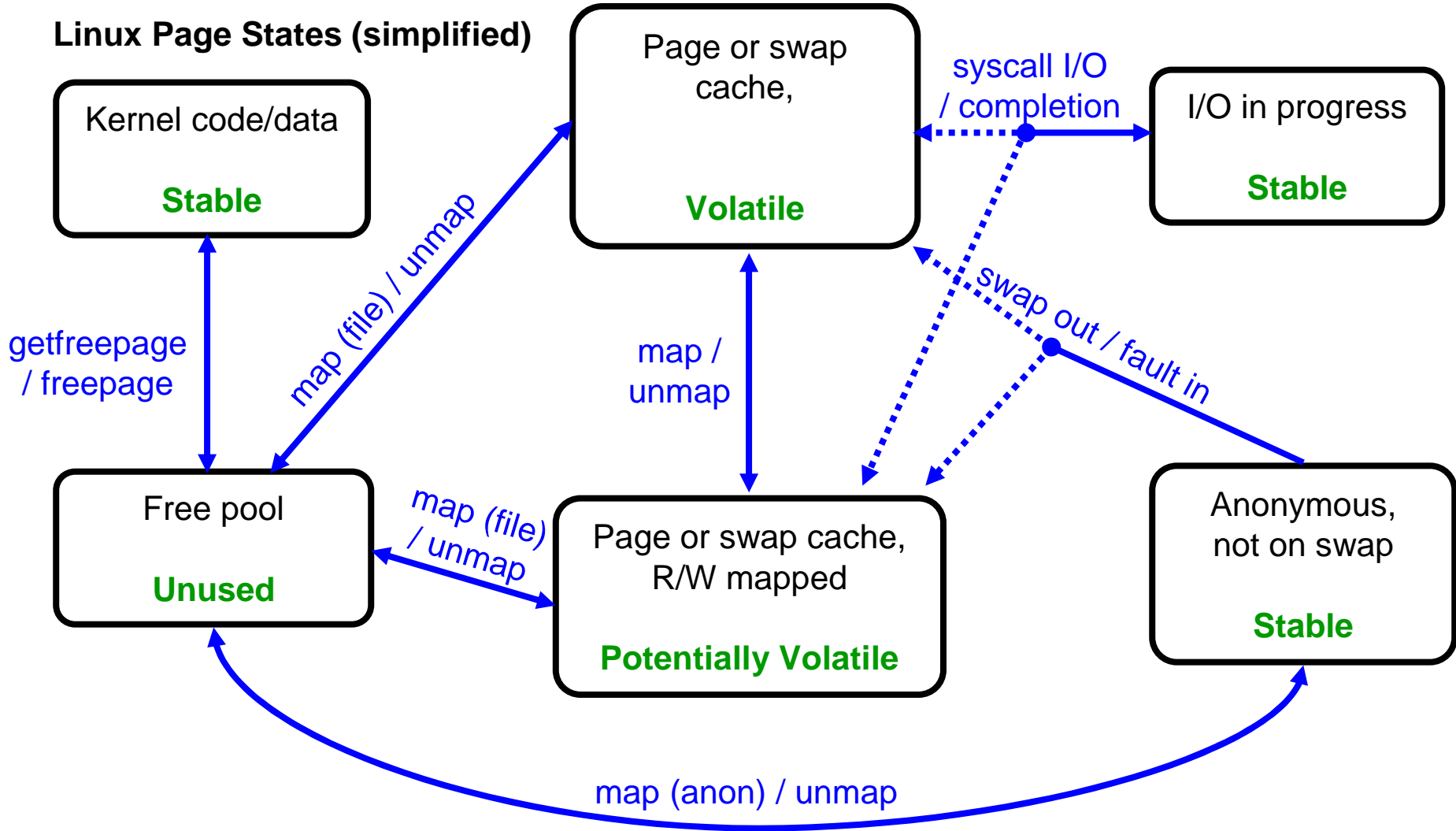
- **Support 32 Processors**
 - ▶ **Actually extended to 64 processors**
 - **CPU bit masks expanded**
 - **Scheduler lock redesigned**
 - **Shared/exclusive spin lock**
 - **Allows more concurrent scheduling activity**
 - ▶ **Performance degradation observed between 36-42 processors**
 - **Dependent on work load characteristics**
 - ▶ **New spin locks monitor record**
 - **MRSYTLCK – Formal Spin Lock Data (Sample)**
 - **Data for 26 spin locks**
 - **Extensible format**

Scalability and Constraint Relief ...

- **Collaborative Memory Management (CMM)**
 - ▶ **Coordinates memory state and page management between Linux and z/VM at the level of individual pages**
 - ▶ **Exploits Collaborative Memory Management Assist (CMMA) on System z9 EC and BC**
 - **New Extract and Set Storage Attributes (ESSA) instruction**
 - **Exploits Host Page-Management Assist (HPMA)**
 - ▶ **Linux exploitation under discussion with Open Source community**
 - **Some progress at July 2007 Ottawa Linux Summit**

Collaborative Memory Management (CMM)

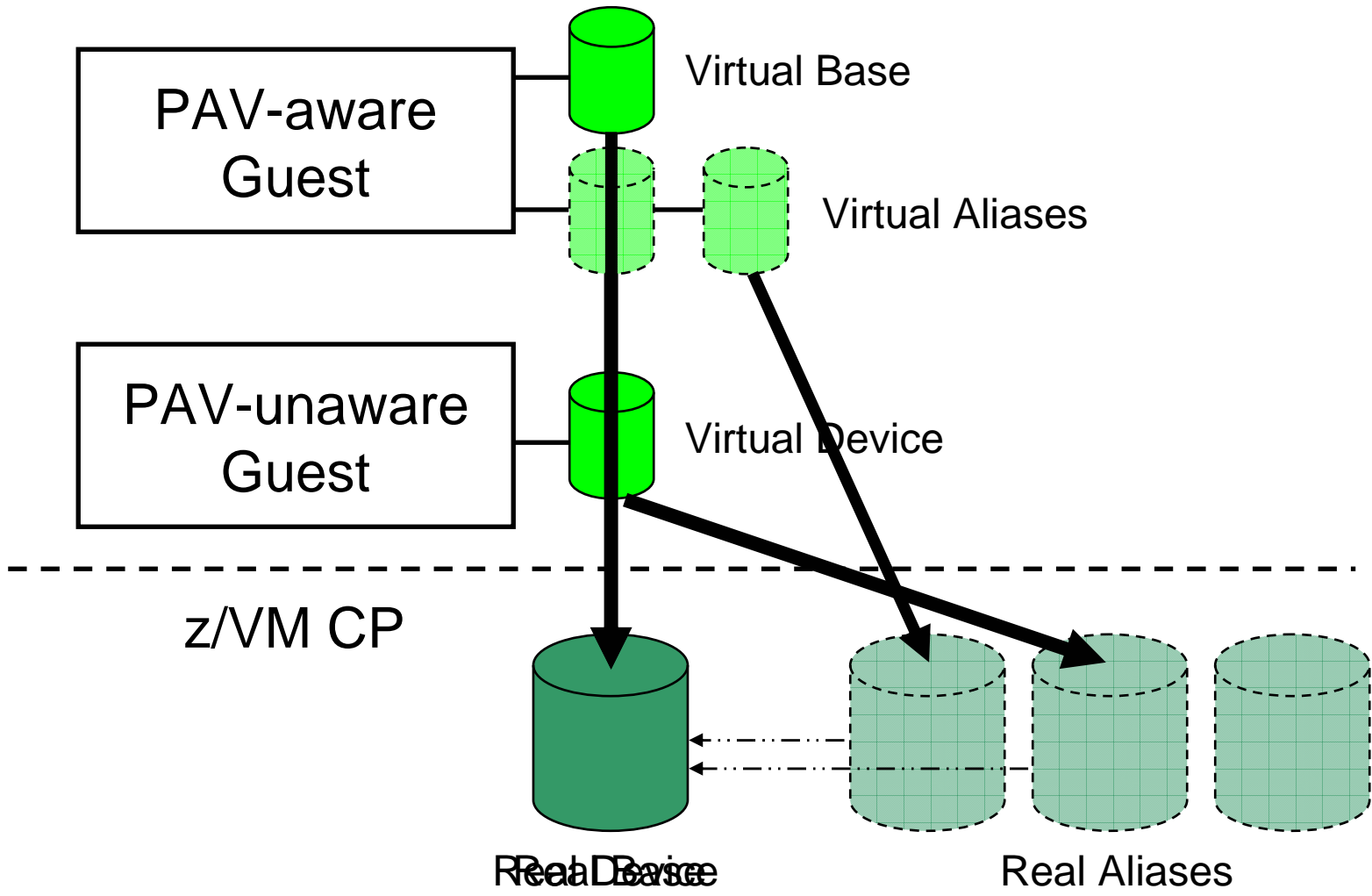
Linux Page States (simplified)



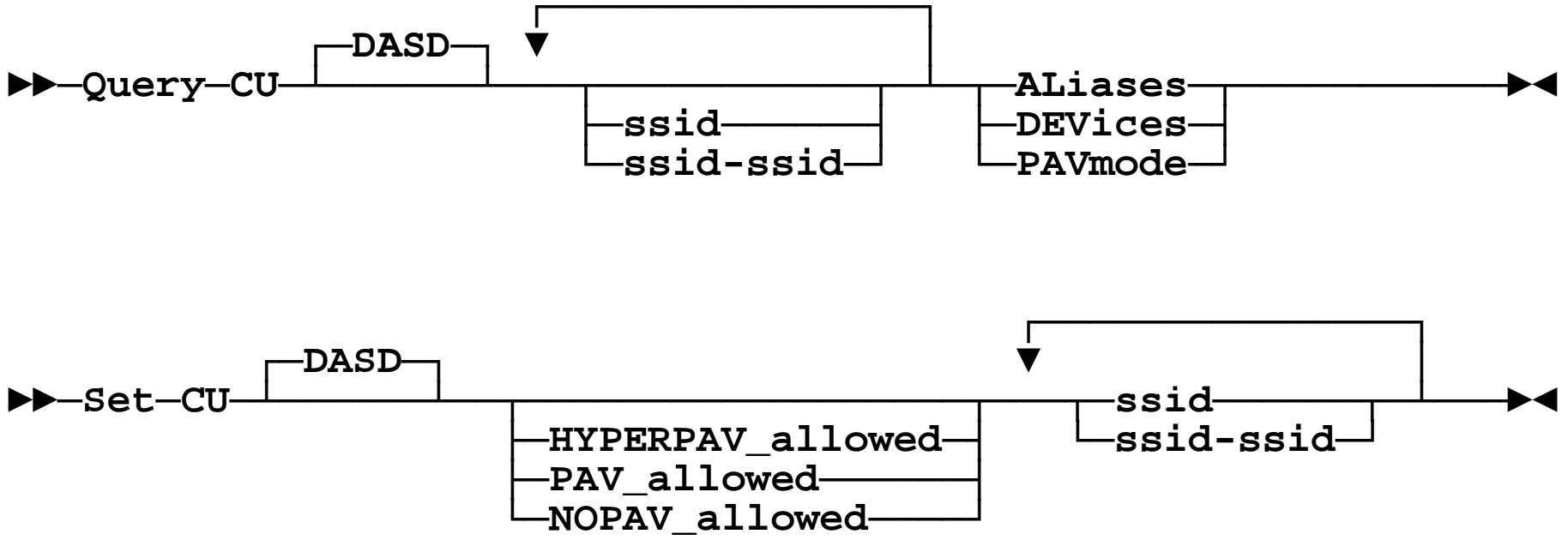
Scalability and Constraint Relief ...

- **DS8000 HyperPAV Support**
 - ▶ **Dynamic alias assignment**
 - **Only for duration of I/O operation**
 - **Reduces number of real alias device addresses required**
 - **Allows better reaction to shifting bandwidth requirements**
 - ▶ **Guest support for HyperPAV-aware guests (z/OS)**
 - ▶ **Host support for HyperPAV-unaware guests (everyone else)**
 - ▶ **Base and alias devices belong to one of up to 16,000 pools**
 - ▶ **Number of virtual aliases limited to**
`min(254,aliases in base device pool)`

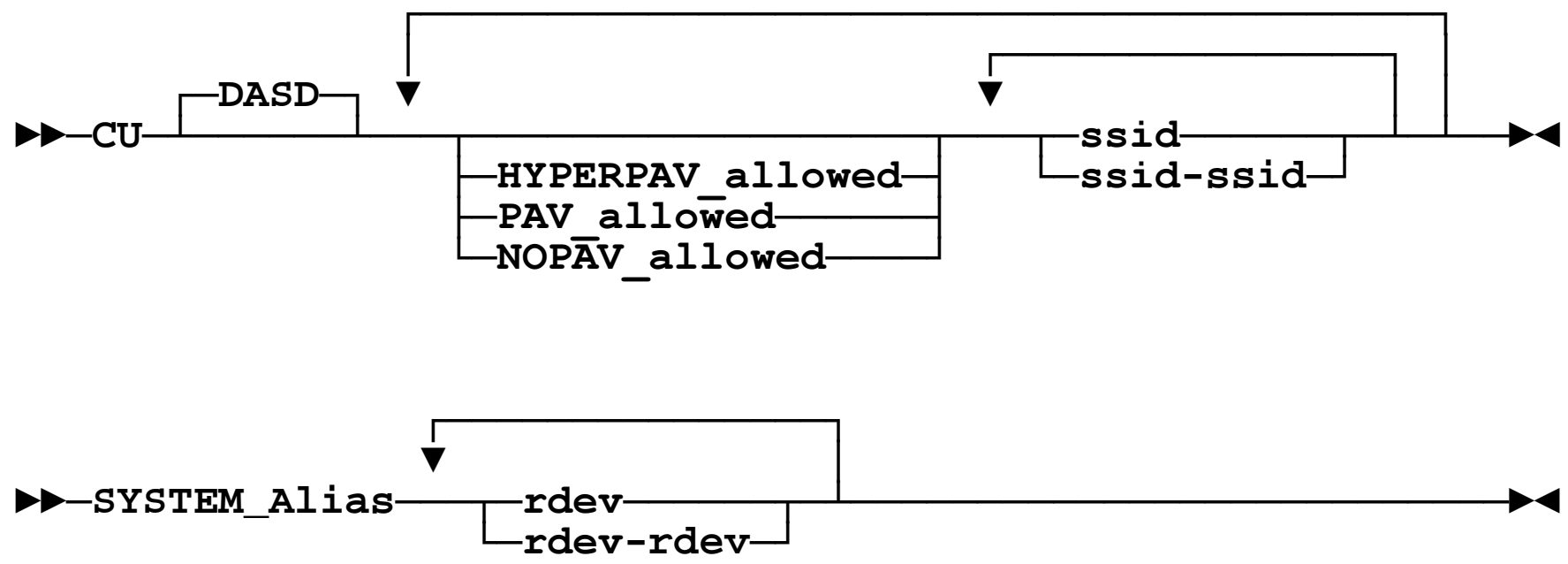
HyperPAV Support



HyperPAV Support ...



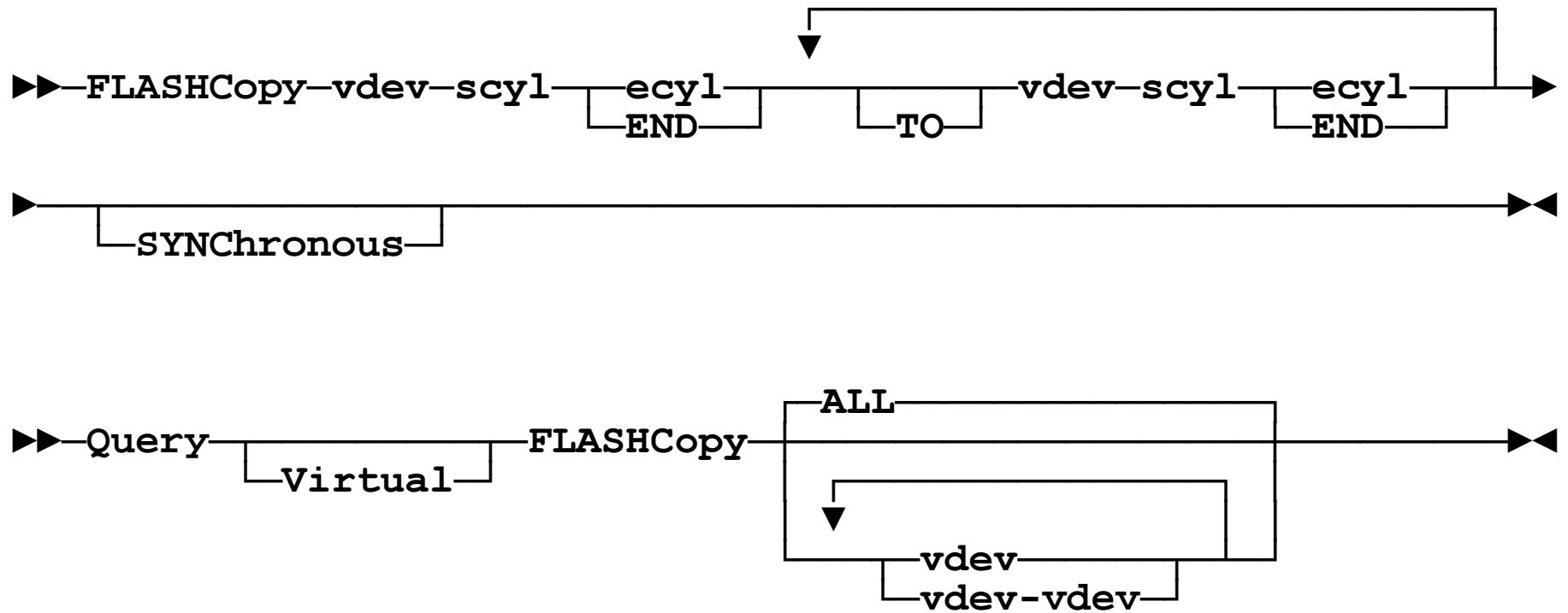
HyperPAV Support ...



Scalability and Constraint Relief ...

- **Enhanced FlashCopy Support**
 - ▶ **Multiple FLASHCOPY targets (up to 12)**
 - **Requires FlashCopy Version 2**
 - ▶ **New SYNCHRONOUS option**
 - **Automatic for FlashCopy Version 2**
 - **Simulated for FlashCopy Version 1**
 - ▶ **New QUERY VIRTUAL FLASHCOPY command**
 - ▶ **Improved error handling**
 - ▶ **CPHX can be used to terminate FLASHCOPY retry wait loop**

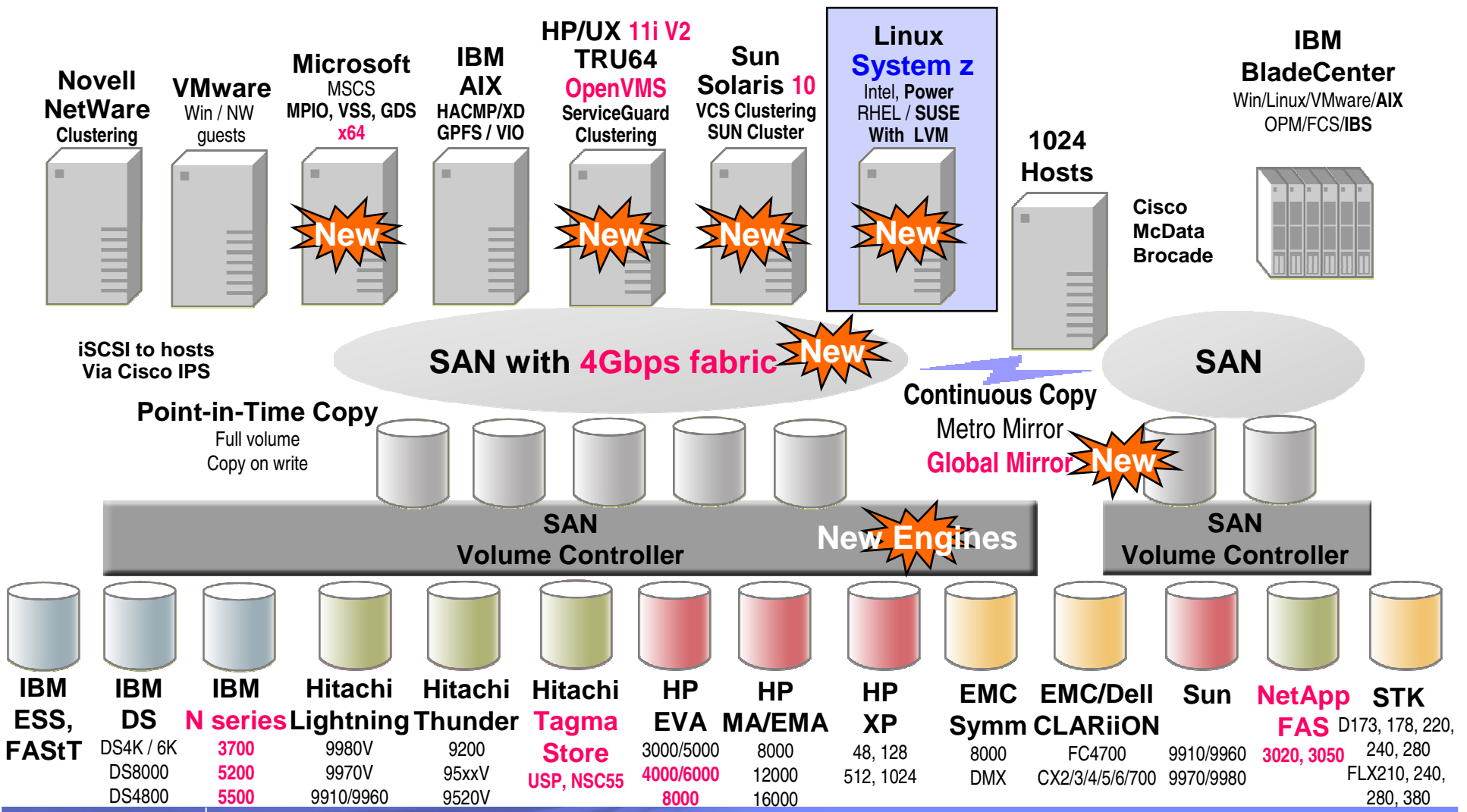
FLASHCOPY Enhancements



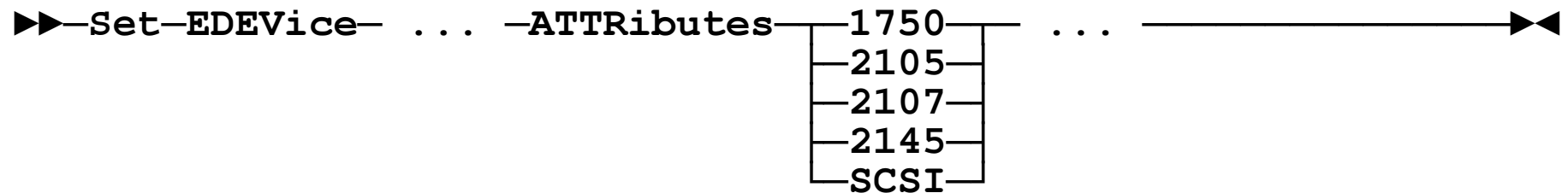
Scalability and Constraint Relief ...

- **SAN Volume Controller (SVC) Support**
 - ▶ **IBM TotalStorage SAN Volume Controller**
 - Provides homogeneous support for a wide variety of SCSI storage controllers
 - Image or virtualizing mode
 - Provides other facilities that underlying hardware might not support
 - E.g., copy services
 - ▶ **New emulated device type (2145)**
 - ▶ **QUERY EDEVICE reports “2145”**
 - ▶ **Monitor record provides 2145 attribute**
 - **MRMTRDEV – Device Configuration Data (Sample Configuration)**
 - ▶ **Support also provided for z/VM 5.2 via SPE APAR VM64128**

SAN Volume Controller Support



SAN Volume Controller Support ...



Note:

1750 = DS6000

2105 = TotalStorage ESS

2107 = DS8000

2145 = SVC

SCSI = generic

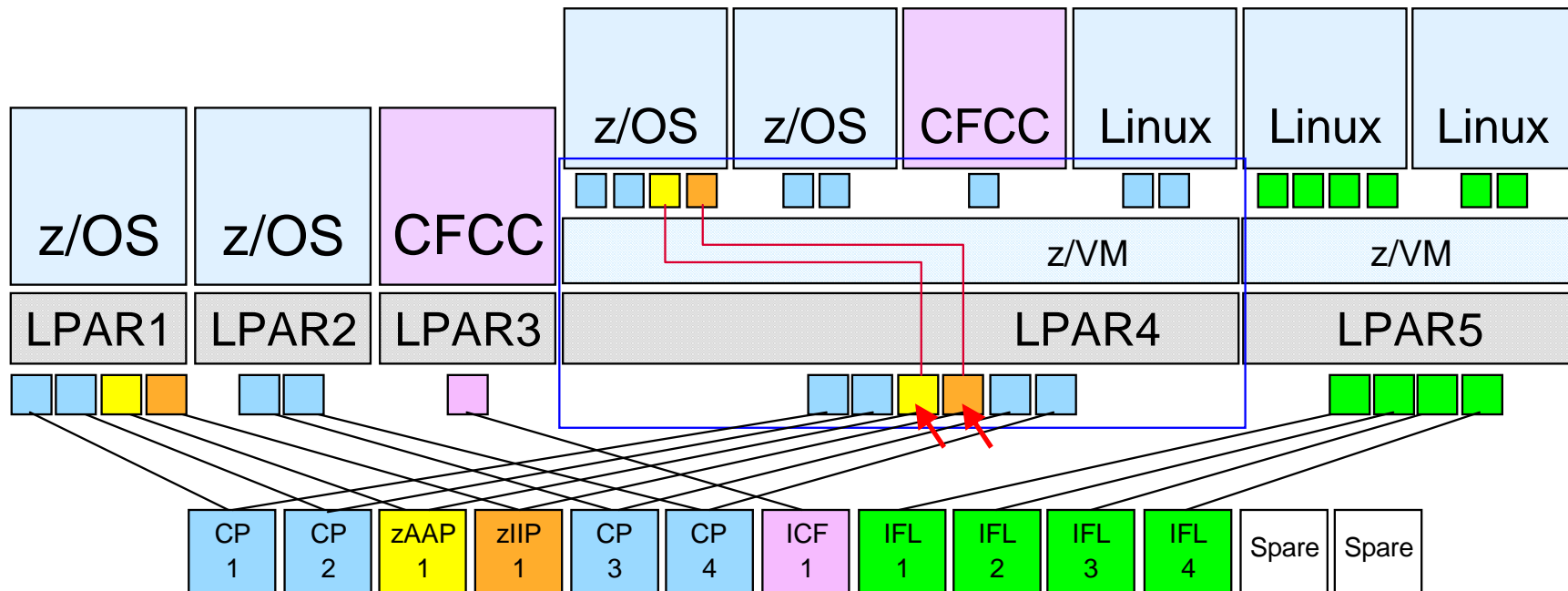
Virtualization

- **Guest support for IBM System z specialty engines**
- **Enhanced VSWITCH and Guest LAN usability**
- **Guest support for Modified Indirect Data Address Words (MIDAWs)**
- **Guest ASCII console support**
- **Enhanced SCSI support**

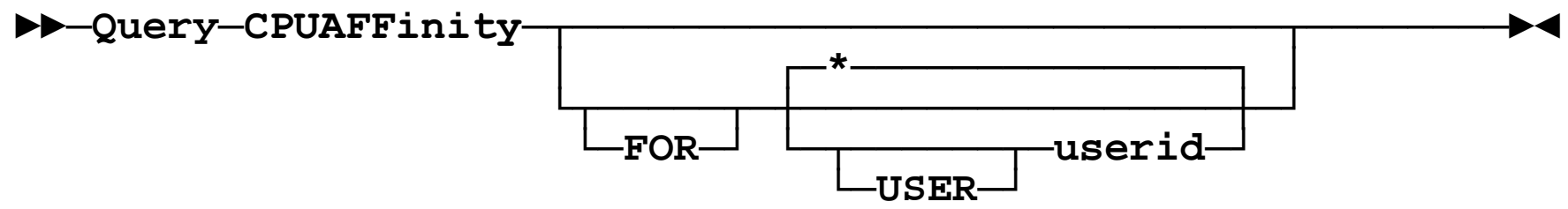
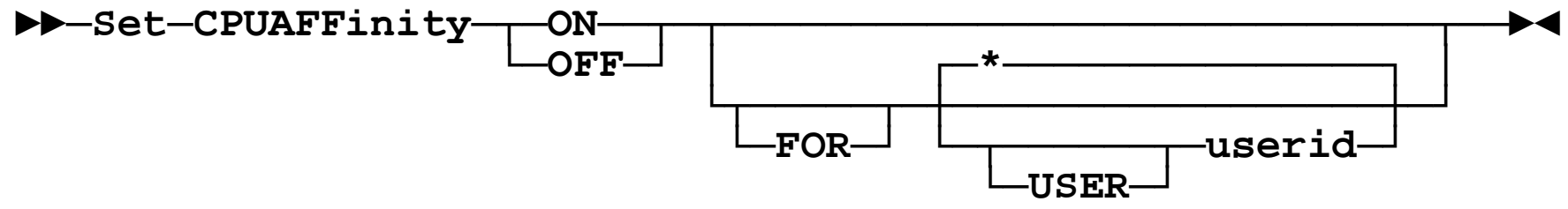
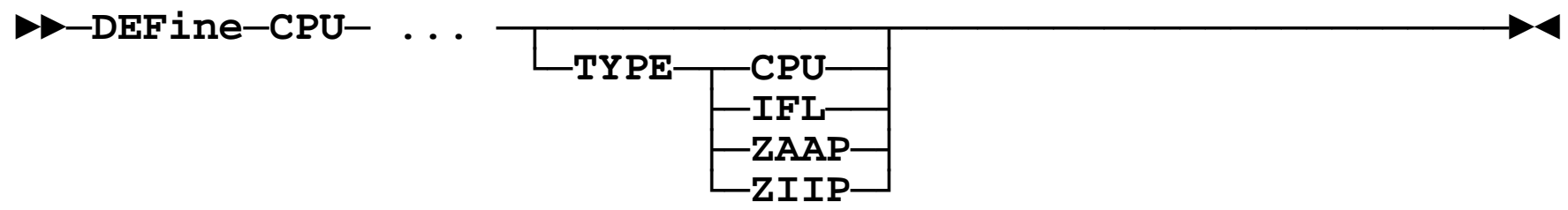
Virtualization ...

- **Guest Specialty Engine Support**
 - ▶ In ESA/390 logical partitions, virtual machines may have virtual IFLs or virtual CPs
 - Virtual machine with virtual CP(s) can have virtual zIIP(s) and zAAP(s)
 - zAAP support requires z890, z990, or System z9
 - zIIP support requires System z9
 - ▶ In Linux-only logical partitions with CPs, virtual machines may have virtual IFLs or virtual CPs
 - ▶ In Linux-only logical partitions with IFLs, virtual machines have virtual IFLs
 - ▶ Simulation support dispatches virtual IFLs, zIIPs, and zAAPs on real CPs
 - ▶ Virtualization support can dispatch them on the corresponding real engine type, if available
 - CPU affinity can be controlled
 - ▶ Primary real processor type is type of IPL processor (CP or IFL)
 - ▶ Described in new section of *Running Guest Operating Systems*

Guest Specialty Engine Support



Guest Specialty Engine Support ...



Guest Specialty Engine Support ...

- **INDICATE LOAD shows processor type**

- ▶ PROC 0000-006% CP PROC 0001-003% CP
 PROC 0002-003% ZAAP

- **INDICATE USER EXPANDED shows virtual processor type and affinity and resources used on real primary and real secondary processors**

- ▶ CPU 00: Ctime=15 01:49:23 Vtime=0 00:06:58 Ttime=0 00:07:33
 Rdr=22514 Prt=465884 Pch=7088 IO=353978
 Type=CP CPUAffinity=ON
 VtimePrimary=0 00:06:58 TtimePrimary=0 00:07:33
 VtimeSecondary=0 00:00:00 TtimeSecondary=0 00:00:00
CPU 01: Ctime=0 00:00:07 Vtime=0 00:00:00 Ttime=0 00:00:00
 Rdr=0 Prt=0 Pch=0 IO=0
 Type=ZIIP CPUAffinity=SUPP
 VtimePrimary=0 00:00:00 TtimePrimary=0 00:00:00
 VtimeSecondary=0 00:00:00 TtimeSecondary=0 00:00:00

Guest Specialty Engine Support ...

- **INDICATE USER** shows virtual processor type and affinity and resources used on real primary and real secondary processors

```
▶ USERID=ROMNEY    MACH=ESA  STOR=128M  VIRT=V  XSTORE=NONE
  IPLSYS=CMS       DEVNUM=00022
  PAGES: RES=00001646  WS=00001626  LOCKEDREAL=00000000  RESVD=00000000
  NPREF=00000020  PREF=00000000  READS=00008061  WRITES=00011948
  XSTORE=000284  READS=001585  WRITES=003445  MIGRATES=001249
  CPU 00: CTIME=68:17  VTIME=002:16  TTIME=003:11  IO=001498
           RDR=001474  PRT=000000  PCH=000000  TYPE=CP    CPUAFFIN=ON
  CPU 01: CTIME=00:00  VTIME=000:00  TTIME=000:00  IO=000000
           RDR=000000  PRT=000000  PCH=000000  TYPE=ZIIP  CPUAFFIN=SUPP
```

Guest Specialty Engine Support ...

- **QUERY PROCESSORS** shows real processor type
 - ▶ PROCESSOR 00 MASTER CP
 - PROCESSOR 01 ALTERNATE CP
 - PROCESSOR 02 ALTERNATE ZAAP
- **QUERY VIRTUAL CPUS** shows virtual processor type and affinity
 - ▶ CPU 00 ID FF319B9E20948000 (BASE) CP CPUAFF ON
 - CPU 01 ID FF319B9E20948000 STOPPED ZIIP CPUAFF SUPP
- **DEDICATE** and **UNDEDICATE** only allowed for virtual processor that matches primary real type
- Cannot **VARY OFF** last primary real processor
- **DEFINE CRYPTO** only allowed for virtual CP

Guest Specialty Engine Support ...

- **Accounting records**
 - ▶ **Type 01 record includes virtual and real processor type code**
 - **May be multiple records per guest virtual CPU**
 - **CPU time used on primary real processor**
 - **CPU time used on secondary real processor**
 - **Accounting performed when DEFINE CPU command changes type**
 - ▶ **Type 0D record includes secondary CPU capability value**

Guest Specialty Engine Support ...

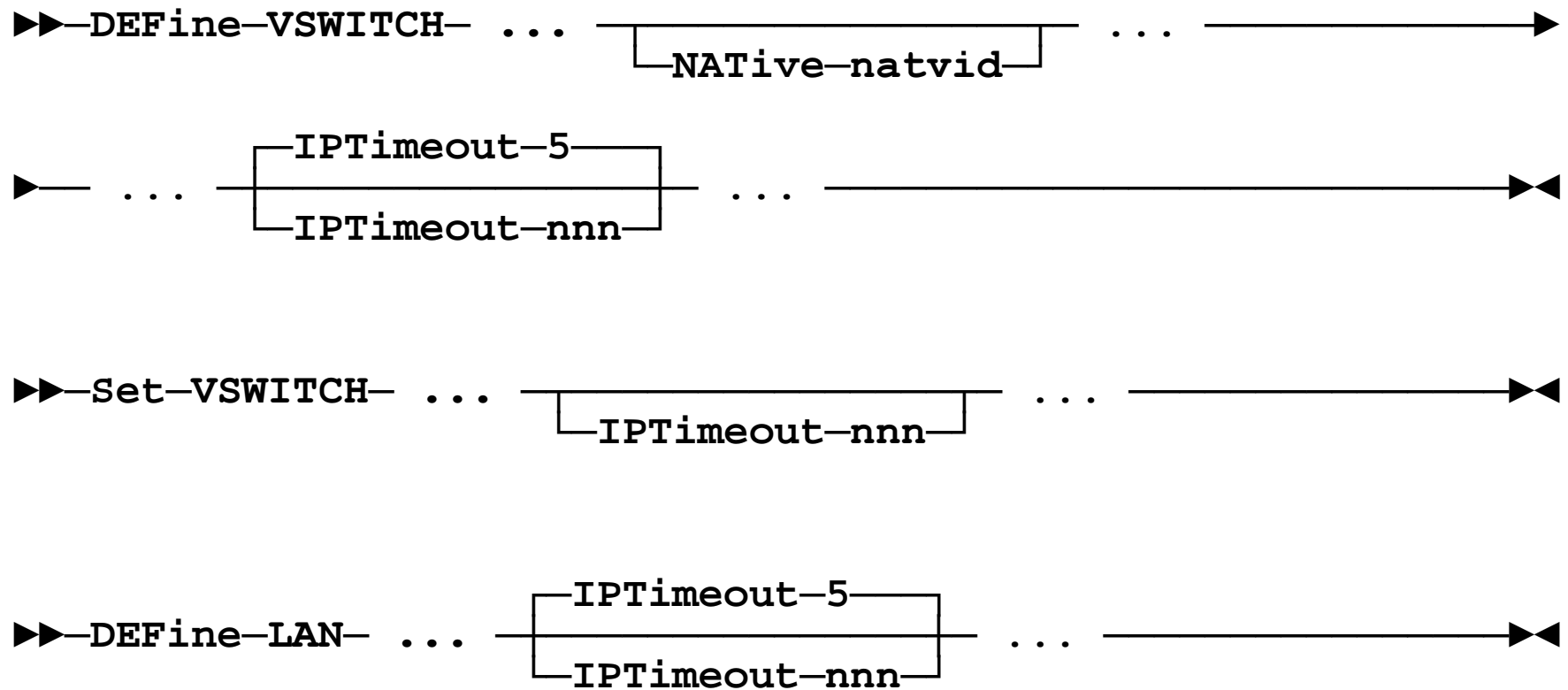
- **Monitor records**

- ▶ **Real processor type added to Monitor, System, Scheduler, Storage, and Processor domain processor-specific records**
- ▶ **Virtual processor type and secondary processor CPU times added to User domain Logoff, Activity, Interaction, and Transaction End records**
- ▶ **Virtual processor type added to User domain DEFINE CPU and DETACH CPU records**
- ▶ **New records**
 - **MRSYTSPT – Scheduler Activity by Processor Type (Sample)**
 - **MRSCLSCA – SET CPUAFFINITY Changes (Event)**

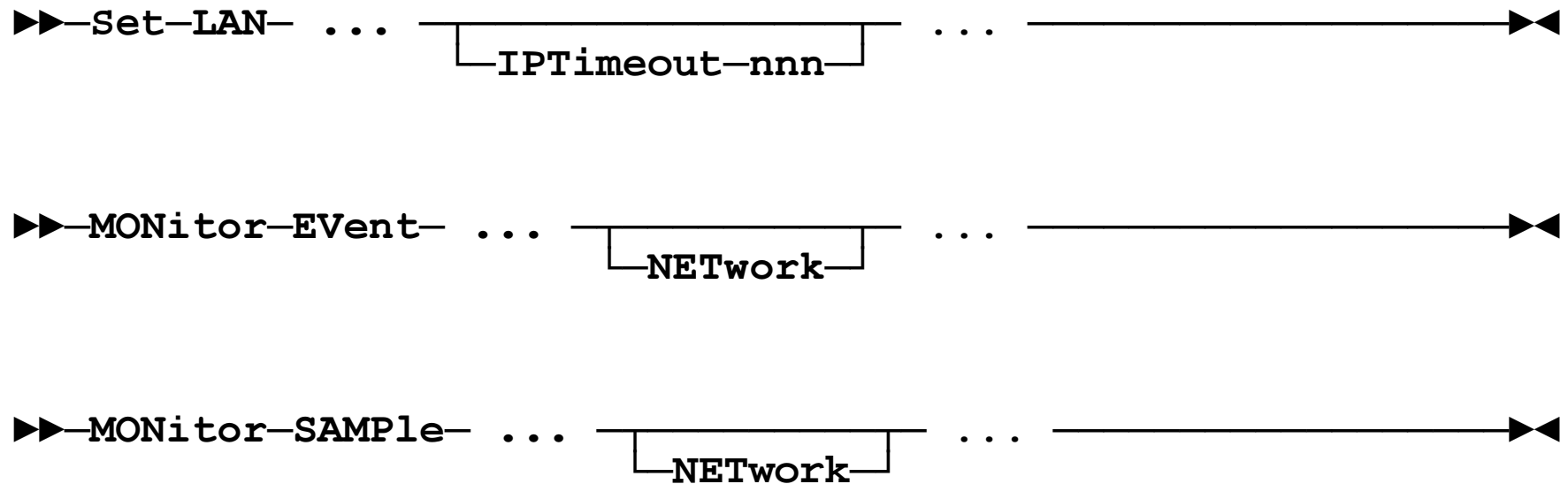
Virtualization ...

- **Guest LAN and Virtual Switch Ease-of-Use**
 - ▶ **Authorized VLAN identifier set and promiscuous mode authorizations changed immediately**
 - ▶ **Native VLAN identifier may be configured for untagged traffic**
 - ▶ **IP address timeout support added for Guest LAN and IP virtual switch**
 - ▶ **New Virtual Network monitor domain**
 - **MRVNDSES - Virtual NIC Session Activity (Sample)**
 - **MRVNDLSU - Virtual Network Guest Link State - Link Up (Event)**
 - **MRVNDLSD - Virtual Network Guest Link State - Link Down (Event)**

Guest LAN/VSWITCH Ease-of-Use



Guest LAN/VSWITCH Ease-of-Use ...



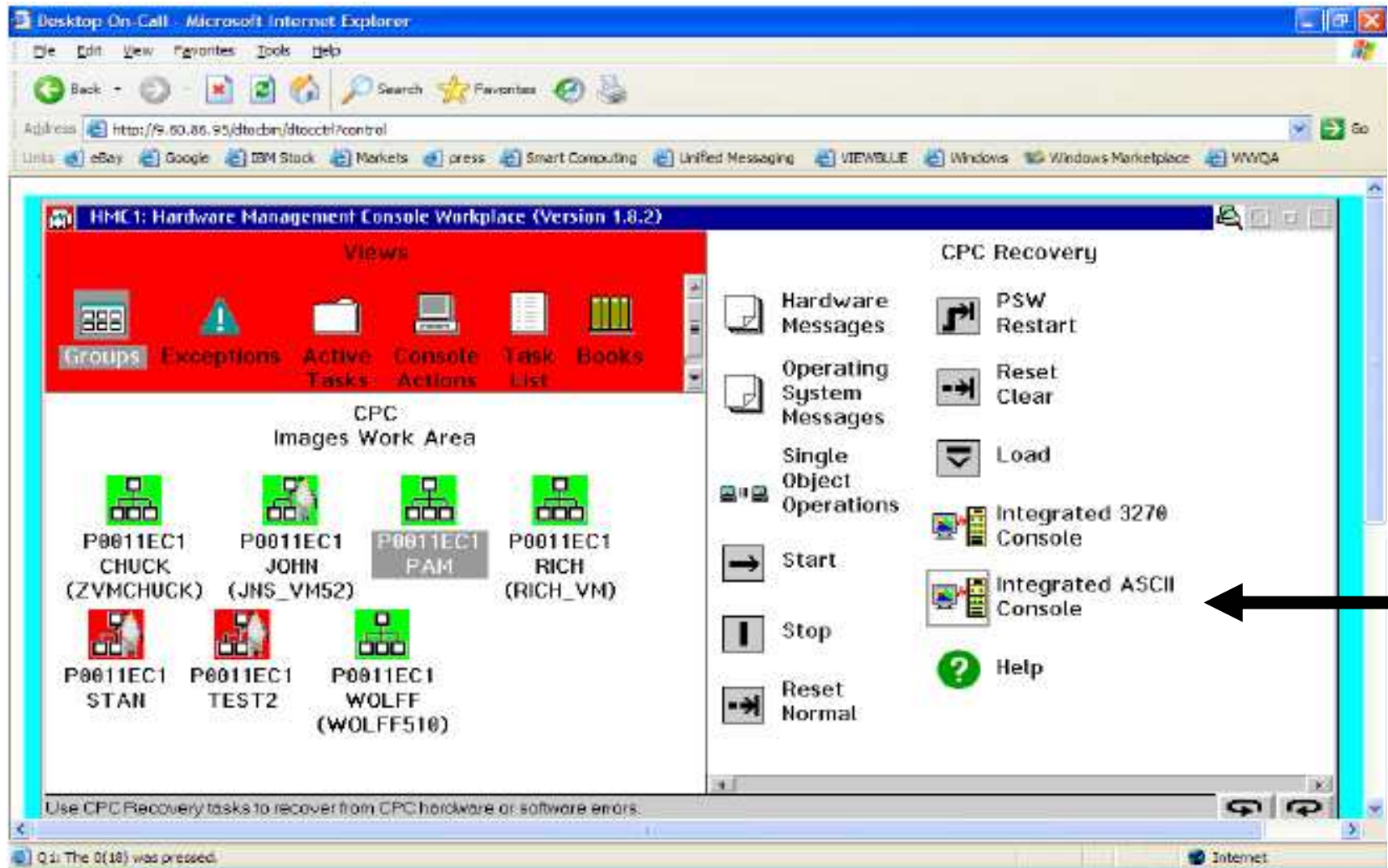
Virtualization ...

- **Guest MIDAW Support**
 - ▶ **Modified IDAW – Indirect Data Address Word**
 - Can designate multiple non-contiguous data areas in storage
 - Each MIDAW includes data address, count field, and flags
 - ▶ **Allows guest to exploit new System z9 hardware capability**
 - More flexible and performance-efficient than CCW data chaining
 - Each IDAW-referenced data area must end at 2K or 4K boundary
 - (M)IDAW fetching more efficient than CCW fetching
 - ▶ **Diagnose X'210' (Retrieve Device Information) indicates if device is MIDAW-capable**

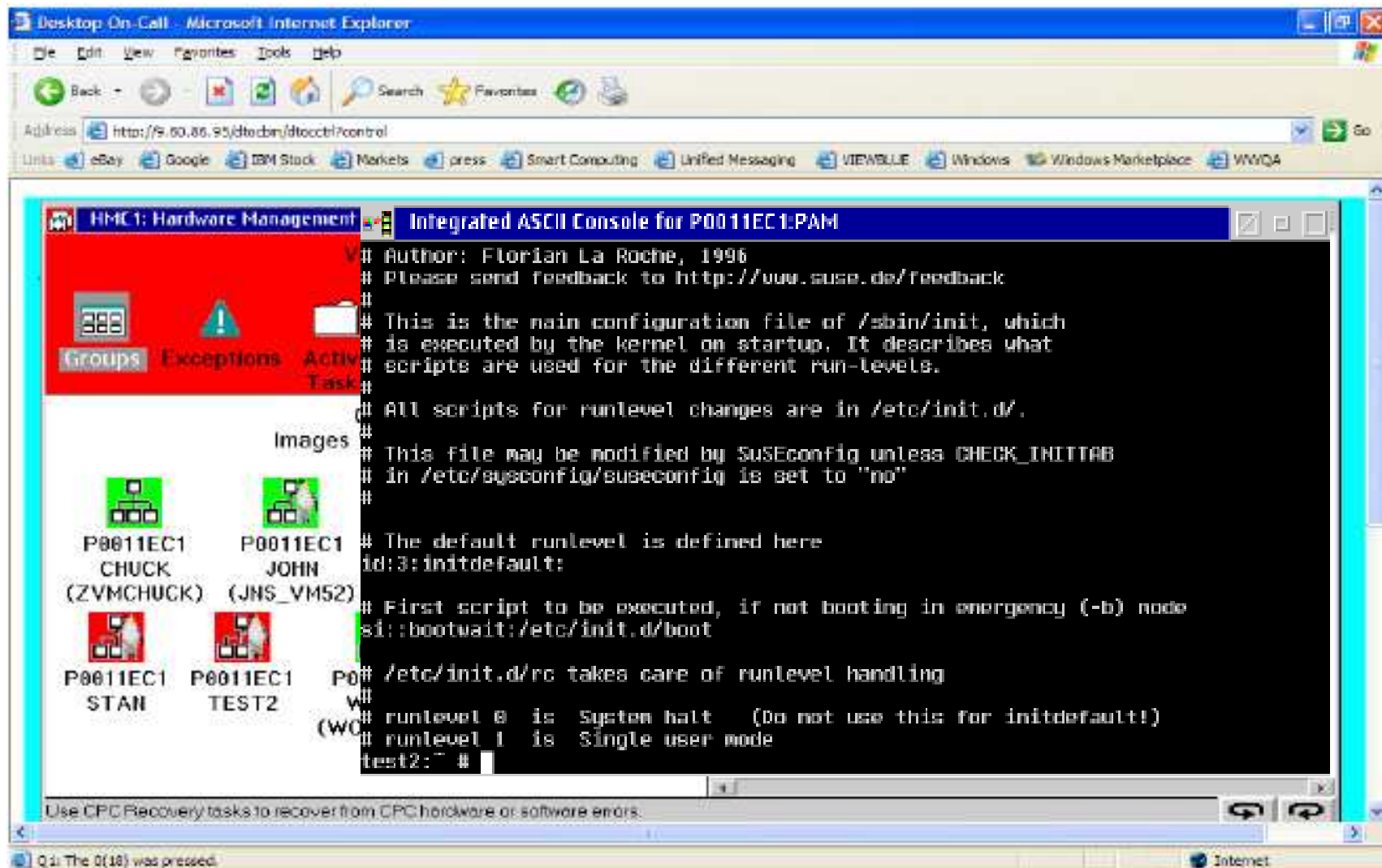
Virtualization ...

- **Guest ASCII Console Support**
 - ▶ **HMC supports integrated ASCII console**
 - **Behaves like VT220**
 - **Enables cursor addressing**
 - **Provides familiar look and feel for Linux full-screen applications (e.g., vi, emacs)**
 - ▶ **Can be dedicated to a (Linux or z/VM) guest**
 - **Because Linux ignores errors (e.g., if console DETACHed), can switch from guest to guest at will**
 - ▶ **Provides recovery mechanism when normal network access not available**

Guest ASCII Console Support



Guest ASCII Console Support ...



Guest ASCII Console Support ...

- **New system object (not a device) – SYSASCII**
 - ▶ Reported “free” or “attached to” guest
 - ▶ Reported “active” if ASCII console session open on HMC
 - ▶ Otherwise “inactive”
- **Operated on by**
 - ▶ ATTACH
 - ▶ DETACH
 - ▶ QUERY
 - ▶ QUERY VIRTUAL

Guest ASCII Console Support ...

▶▶ ATTach-SYSAscii TO userid

▶▶ DETach-SYSAscii FRom userid

▶▶ DETach-SYSAscii

▶▶ Query-SYSAscii

▶▶ Query virtual SYSAscii

Guest ASCII Console Support ...

- A Linux guest must be configured to use the ASCII console, as described in "Linux on zSeries Device Drivers, Features, and Commands"
 - ▶ Device `ttys1` is the full-screen mode ASCII console device driver
- Add a line to `/etc/inittab`
 - ▶ `<id>: 2345:respawn:/sbin/agetty -L 9600 ttyS1 linux`
- Guest must be booted with kernel parameter
`console=ttys1`
or `console=ttys0 console=ttys1`
to activate the full-screen console device driver

Virtualization ...

- **Enhanced SCSI Support**
 - ▶ **Dynamic preferred path discovery**
 - DS6000
 - PREFERRED option no longer supported on SET EDEVICE
 - ▶ **Fast format**
 - ESS and DS8000
 - **New Diagnose X'A4' (Synchronous Block I/O) Format function**
 - Support reported by Diagnose X'210' (Retrieve Device Information)
 - ▶ **Duplicate LUN checking**
 - ▶ **Point-to-point support**
 - Eliminates need for switched Fibre Channel fabric
 - ▶ **Additional device information in QUERY EDEVICE DETAILS response**
 - Device vendor, product identification, revision level, cache status (if applicable), connection type (switched or Point-to-point) for each path

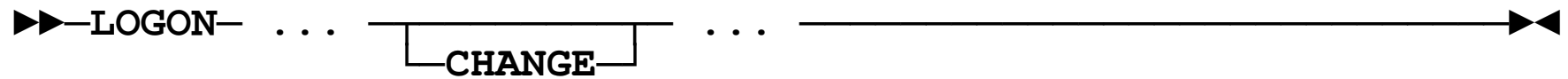
Security

- **Passphrase support**
- **Tape encryption support**

Security ...

- **Passphrase Support**
 - ▶ **Allow ESM to support longer and more complex passwords (password phrases or passphrases)**
 - **May be up to 200 characters long**
 - **May include any hexadecimal character, including blank**
 - **May require enclosure in single quotation marks**
 - ▶ **RACF/VM Feature supports up to 100-character passphrases**
 - ▶ **z/VM logo extends password field to end of line (width – 15)**
 - ▶ **No line-editing performed on user identifier (entered at system logon screen) or password**
 - ▶ **z/VM User Directory does not support passphrases**
 - ▶ **AUTOLOG, XAUTOLOG, LINK, APPC do not support passphrases**

PassPhrase Support



PassPhrase Support ...

- **New Diagnose X'88' subcode 8**
 - ▶ **Similar to subcode 0 but**
 - **Supports passphrases**
 - **Handles password case**
 - **Invokes ESM if present**
 - **Optionally asks ESM about agent's LOGON BY authority for target**
 - **Validates uppercase password against User Directory if no ESM**
- **New Diagnose X'88' subcode X'FF'**
 - ▶ **Determine ability to use other Diagnose X'88' functions**

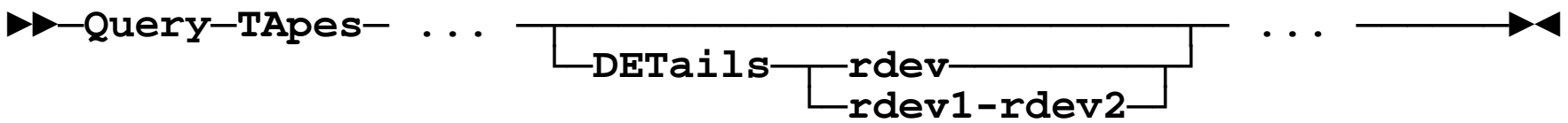
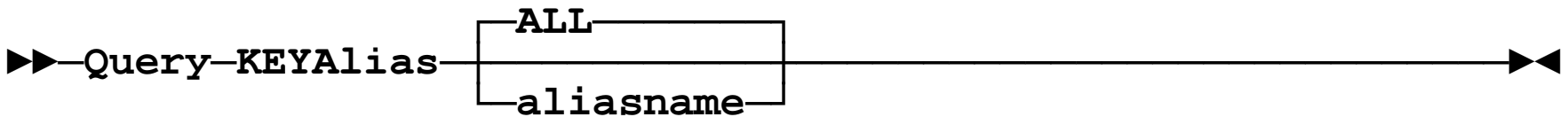
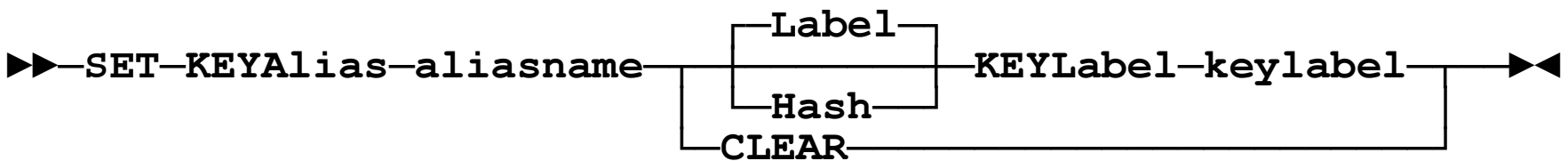
Security ...

- **Tape Encryption Support**
 - ▶ **IBM System Storage TS1120 Tape Drive (3592 E05)**
 - ▶ **Support KEY option for various commands and utilities**
 - **ATTACH command**
 - **SET RDEVICE command**
 - **DASD Dump/Restore (DDR) utility**
 - ▶ **Enable encryption automatically for encryption-unaware guests using the default key or a designated key label**
 - ▶ **Enhance related z/VM tape support facilities**
 - **SPXTAPE command**
 - **QUERY TAPES DETAILS**
 - **QUERY VIRTUAL TAPES**

Tape Encryption Support

- **Add key selection capability**
 - ▶ **ATTACH command**
 - ▶ **SET RDEVICE command**
 - ▶ **SET KEYALIAS command**
 - ▶ **QUERY KEYALIAS command**
- **Allow encryption-aware guests to exploit hardware facilities**
 - ▶ **Can use in-band key manager**
- **z/VM support requires an out-of-band key manager**
 - ▶ **IP attachment**
- **Delivered via PTFs for APAR VM64063 on z/VM 5.1 and 5.2**
- **ATL support delivered via PTF for DFSMS/VM FL221 APAR VM64062**
 - ▶ **Tape encryption support for z/VSE guests**
- **Diagnose X'210' (Retrieve Device Information) identifies 3592 E05 devices**

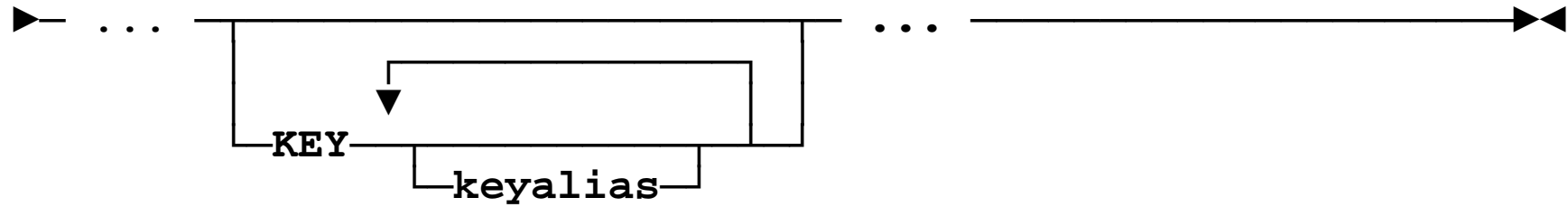
Tape Encryption Support ...



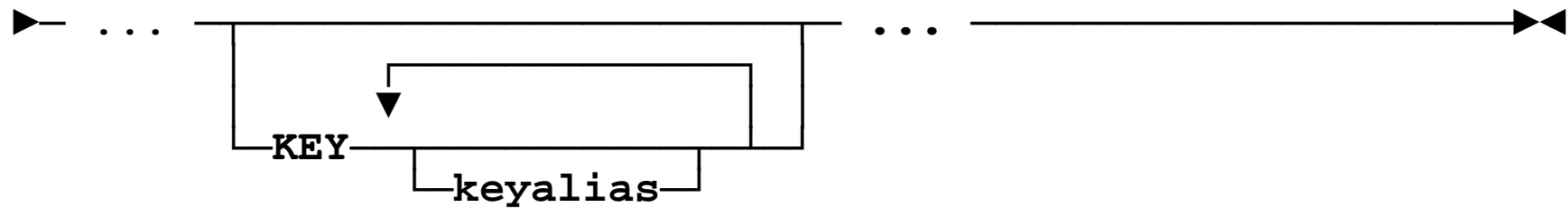
Tape Encryption Support ...

▶▶ ATTach ... →

Options for Dedicated Tape Device:

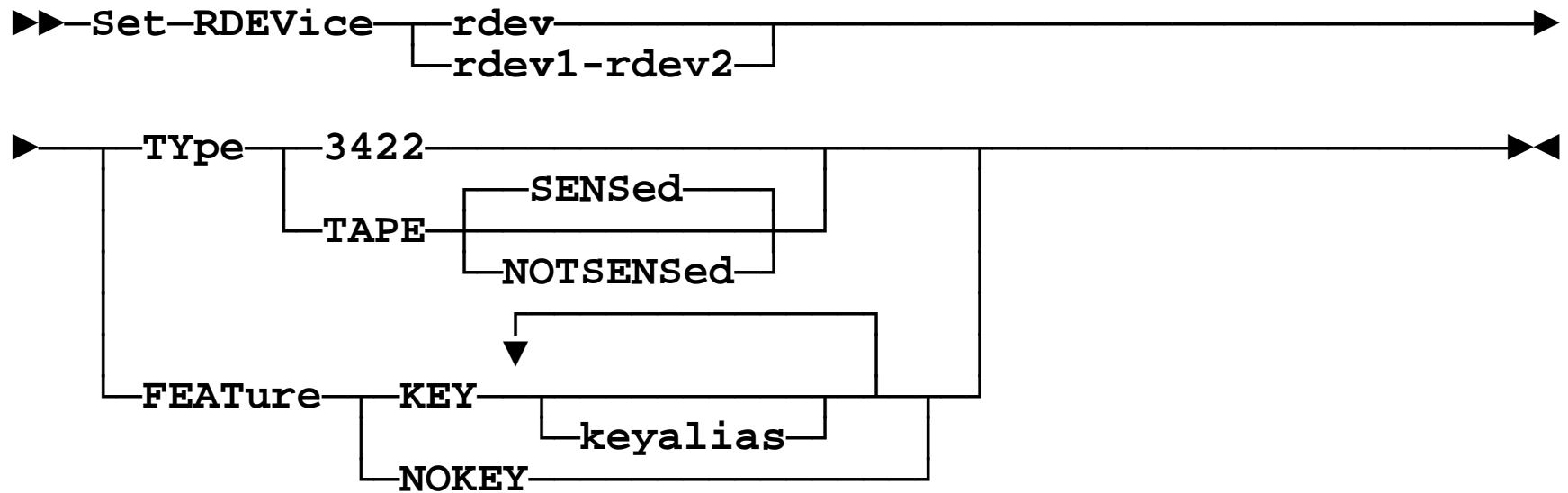


Options for Shared Tape Device:



- Multi-user ATTACH allowed if KEY operands are identical

Tape Encryption Support ...



Tape Encryption Support ...

▶▶ `DDR` ...

I/O Definition Control Statements:

▶▶ `OUTput devno type` ...

LABEL/HASH Control Statements for Encryption Key Labels:

▶▶

Tape Encryption Support ...

- **SPXTAPE DUMP** honors **ATTACH** or **SET RDEVICE KEY** settings and enables for encryption as required
- **QUERY TAPES DETAILS** reports encryption-capable drives and displays active (set by **ATTACH**) and inactive (set by **SET RDEVICE**) key labels
- **QUERY VIRTUAL TAPES** reports encryption-capable devices

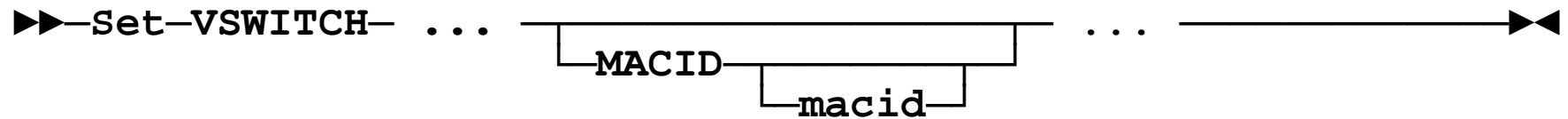
Virtual Networking

- **Enhanced virtual network management**
- **Link aggregation and failover**

Virtual Networking ...

- **Enhanced Virtual Network Management**
 - ▶ **Support for SNMP agent virtual machine**
 - **MACID on SET VSWITCH**
 - Concatenated to system MACPREFIX to define virtual switch MAC address
 - Can be system-assigned
 - **Enhanced QUERY VSWITCH response shows**
 - MACID associated with VSWITCH
 - Management ID (TCP/IP stack userid) and IP address associated with SNMP agent
 - Port numbers and associated interface indices
 - **Enhanced QUERY VIRTUAL NIC response**
 - Shows port number and associated interface index

Enhanced Virtual Network Management



Enhanced Virtual Network Management ...

- **New Diagnose X'26C' (Access Certain System Information) subcodes**
 - ▶ X'00000008' - Return virtual LAN system information
 - ▶ X'0000000C' - Return controller list
 - ▶ X'00000010' - Return controller information
 - ▶ X'00000014' - Return guest LAN list
 - ▶ X'00000018' - Return guest LAN information
 - ▶ X'0000001C' - Return virtual switch list
 - ▶ X'00000020' - Return virtual switch information
 - ▶ X'00000024' - Return virtual port or NIC information

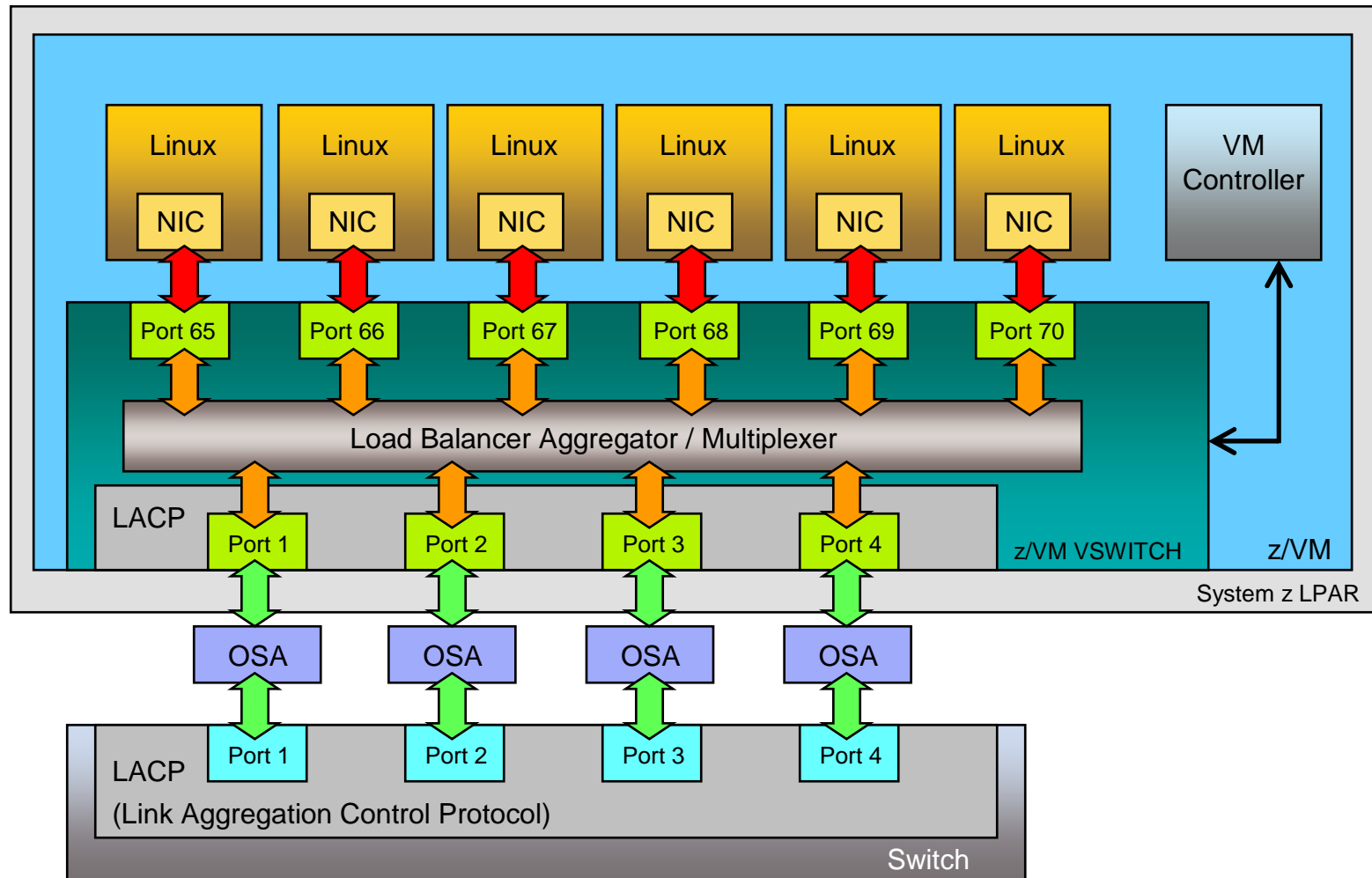
Enhanced Virtual Network Management ...

- **Changed Monitor records**
 - ▶ **Management user ID and switch IP and MAC addresses added to**
 - **MRIODVSW - Virtual Switch Activity (Sample)**
 - **MRIODVSF - Virtual Switch Failure (Event)**
 - **MRIODVSR - Virtual Switch Recovery (event)**

Virtual Networking ...

- **Link aggregation and failover**
 - ▶ **Requires System z9 OSA Express-2**
 - ▶ **Allow up to eight OSAs to be associated with a virtual switch**
 - ▶ **Up to 128 named link aggregation groups supported**
 - ▶ **Links aggregated for data transmission**
 - **Optional time-driven balancing of conversations across links in group (30-second granularity)**
 - **Increased bandwidth**
 - **Improved recoverability**
 - ▶ **DEFINE VSWITCH and SET VSWITCH allow link aggregation group specification**
 - ▶ **QUERY CONTROLLER reports “LINKAGG”**
 - ▶ **QUERY PORT displays link aggregation group and device information**
 - ▶ **QUERY VSWITCH displays link aggregation group name**
 - ▶ **SET PORT defines link aggregation group**

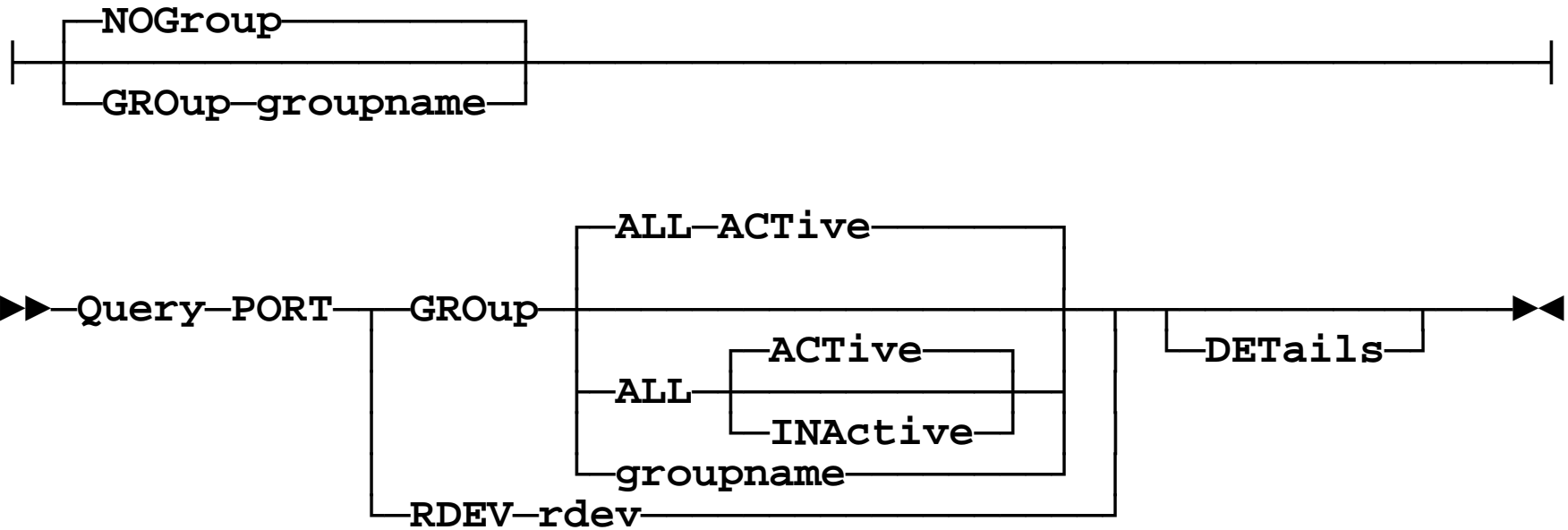
Link Aggregation



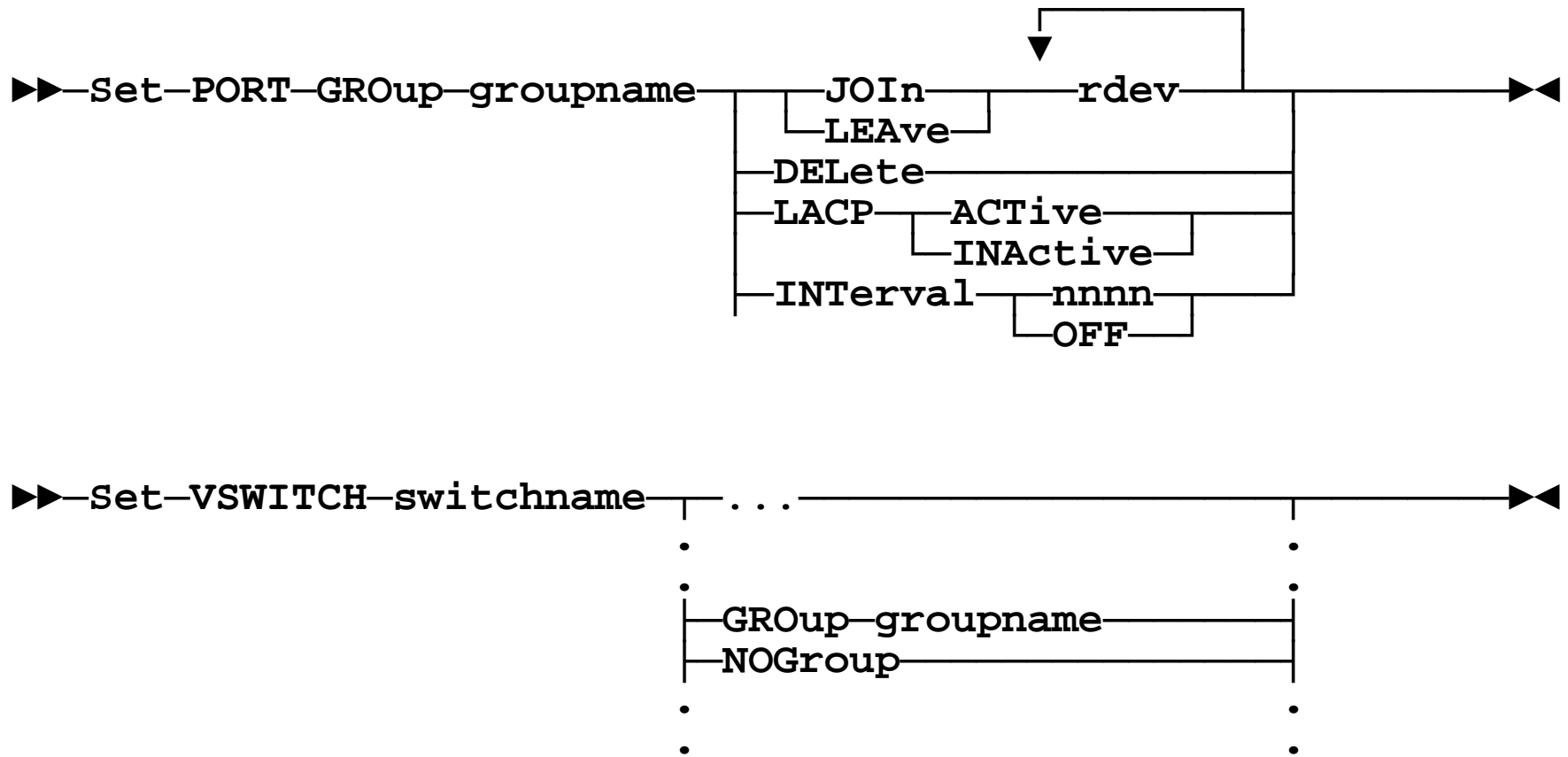
Link Aggregation ...

▶▶ `DEFine VSWITCH switchname ...` ▶▶

Ethernet Options:



Link Aggregation ...



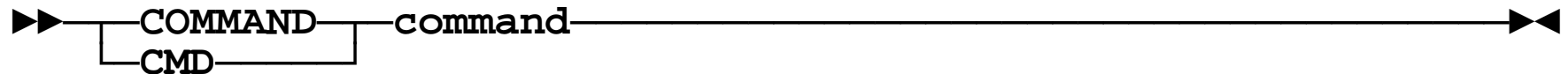
Systems Management

- **Enhanced guest configuration**
- **Asynchronous CP command responses**
- **VM event notification**
- **Integrated systems management**

Systems Management ...

- **Enhanced Guest Configuration**
 - ▶ **User Directory COMMAND statement**
 - ▶ **Allows (almost) any CP command to be executed for a guest**
 - **After LOGON complete, immediately before IPL**
 - **Any privilege class**
 - **Subject to ESM auditing**
 - **Multiple statements allowed**
 - ▶ **Reduces need for future directory control statement enhancement**
 - **E.g., Specialty engines defined via COMMAND DEFINE CPU rather than by extensions to CPU statement**

Enhanced Guest Configuration



```
USER U1      U1PW 32M 32G G
IPL 190     PARM AUTOOCR
COMMAND VARY ON 1234
COMMAND ATTACH 1234 TO &USERID AS 4567
CONSOLE 009 3215 T MAINT
SPOOL 00C 2540 READER A
SPOOL 00D 2540 PUNCH A
SPOOL 00E 1403 A
.
.
```

Systems Management ...

- **Asynchronous CP Command Responses**
 - ▶ **New FOR command allows one user to execute CP commands on behalf of another**
 - **Issuer must have SECUSER authority or Class C privileges**
 - **Target must have appropriate authorization for subject command**
 - ▶ **Responses come to issuer**
 - `userid : [token :]text`
 - ▶ **No indication to target (except for side-effects)**
 - **E.g., FOR OPERATOR LOGOFF**
 - ▶ **Not recommended for use with asynchronous commands (e.g., SPXTAPE)**
 - ▶ **New *ASYNCMD IUCV System Service allows programmatic use**

Asynchronous CP Command Responses

▶▶-FOR-userid- _____ CMD-text-▶▶
 └── PATH ─┬── pathid ─┬── TOKEN-value ─┬──
 └── * ─┬──

▶▶-FORward- ... _____▶▶

▶▶-IUCV-*ASYNCMD _____▶▶
 └── Msglimit-limit ─┬──

Asynchronous CP Command Responses ...

*ASYNCMD Command Response Record:

1-8	9-24	25	26-28	29-32	33	34-n
User ID	Token	0	Component ID	Message Number	Severity	Text

*ASYNCMD End-of-Command Record:

1-8	9-24	25	26-29	30-33
User ID	Token	1	Return Code	Messages Discarded

Systems Management ...

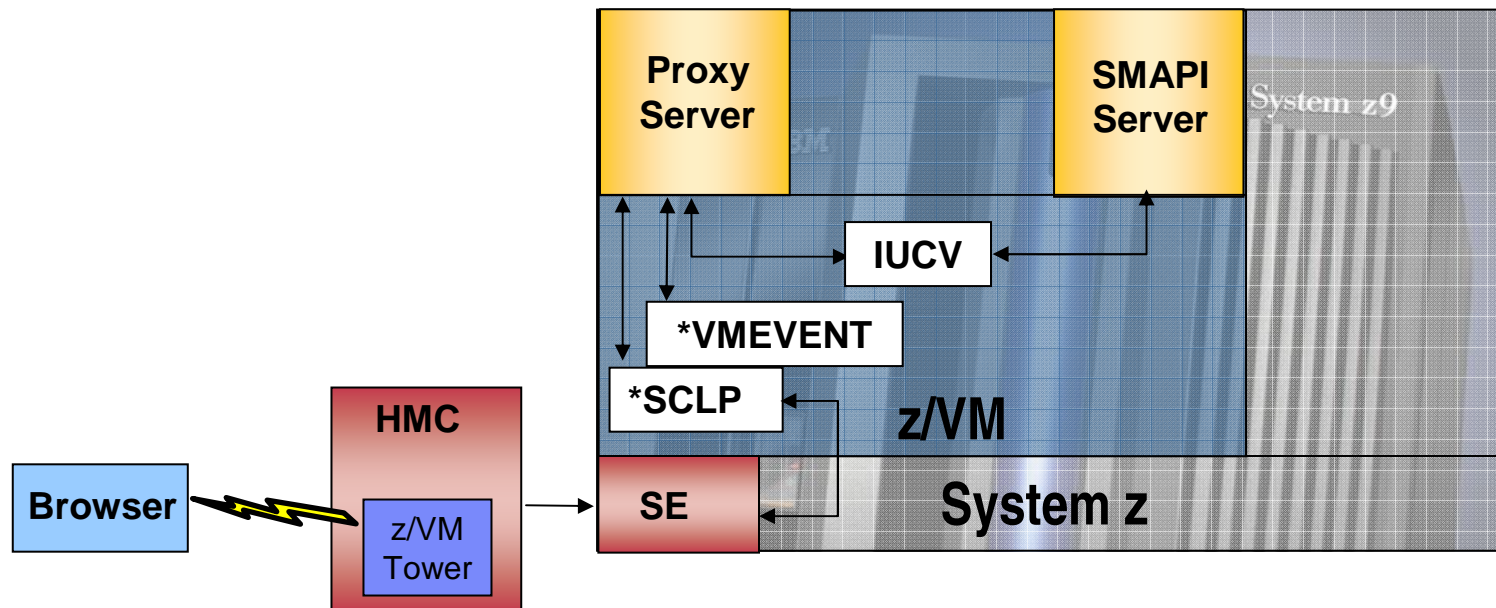
- **VM Event Notification**
 - ▶ **New *VMEVENT IUCV system service**
 - ▶ **Notifies connected users of “significant” events**
 - **User LOGON**
 - **User LOGOFF**
 - **Failure conditions (those detected by protected application environment)**
 - **LOGOFF timeout initiated**
 - **Forced SLEEP initiated**
 - **Previous exception condition cleared**
 - ▶ **Notification identifies subject user and may provide additional data**
 - ▶ **Any exceptions status reported after initial CONNECT**

Systems Management ...

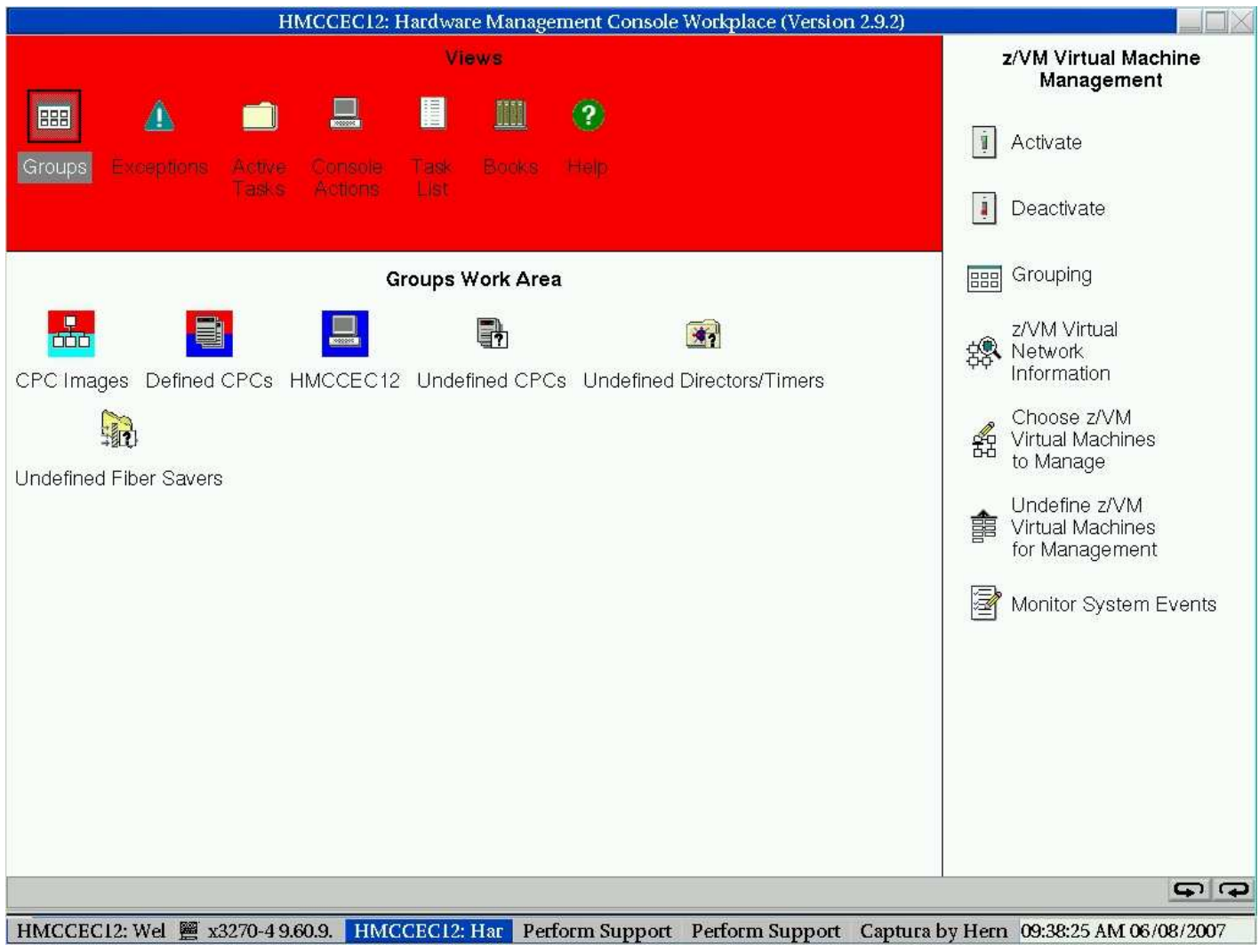
- **z/VM integrated systems management**
 - ▶ **HMC recognizes z/VM logical partition**
 - ▶ **Extends management to virtual machine level**
 - **Select guests to manage**
 - **Display guest configuration**
 - **Display status**
 - **Display Guest LAN and Virtual Switch configurations**
 - **Activate guest**
 - **Deactivate guest**
 - **Grouping**
 - **Event monitoring**

z/VM Integrated Systems Management

- **Web-browser access to the HMC interfaces to z/VM services including the Systems Management API to activate and deactivate guests and display guest status**



z/VM Integrated Systems Management ...



z/VM Integrated Systems Management ...

HMCCEC12: Hardware Management Console Workplace (Version 2.9.2)

z/VM Virtual Machine Management

- Activate
- Deactivate
- Grouping
- z/VM Virtual Network Information
- Choose z/VM Virtual Machines to Manage
- Undefine z/VM Virtual Machines for Management
- Monitor System Events

Choose z/VM Virtual Machines to Manage

Select or deselect the z/VM virtual machines that are to be managed by this console.

Select	Virtual machine name
<input type="checkbox"/>	EFANOV
<input type="checkbox"/>	EREP
<input type="checkbox"/>	FTPSEVER
<input type="checkbox"/>	GCS
<input type="checkbox"/>	LATYPOVA
<input type="checkbox"/>	MARUSOV
<input type="checkbox"/>	MPROUTE
<input type="checkbox"/>	OPERATOR
<input type="checkbox"/>	OPERSYMP
<input type="checkbox"/>	PVM
<input type="checkbox"/>	REXECD
<input type="checkbox"/>	RSCS
<input type="checkbox"/>	RSCSDNS
<input type="checkbox"/>	SAK00001
<input type="checkbox"/>	TCPIP
<input type="checkbox"/>	VMSEVR
<input type="checkbox"/>	VMSEVRS
<input type="checkbox"/>	VMSEVVU
<input type="checkbox"/>	VSMC1
<input type="checkbox"/>	VSMC2

OK Cancel Help

HMCCEC12: x3270-4 9.60 HMCCEC12: Perform Supp Perform Supp Captura by He HMCCEC12: 09:40:05 AM 06/08/2007

z/VM Integrated Systems Management ...

HMCCEC12: Hardware Management Console Workplace (Version 2.9.2)

z/VM Virtual Machine Management

- Activate
- Deactivate
- Grouping
- z/VM Virtual Network Information
- Choose z/VM Virtual Machines to Manage
- Undefine z/VM Virtual Machines for Management
- Monitor System Events

Choose z/VM Virtual Machines to Manage

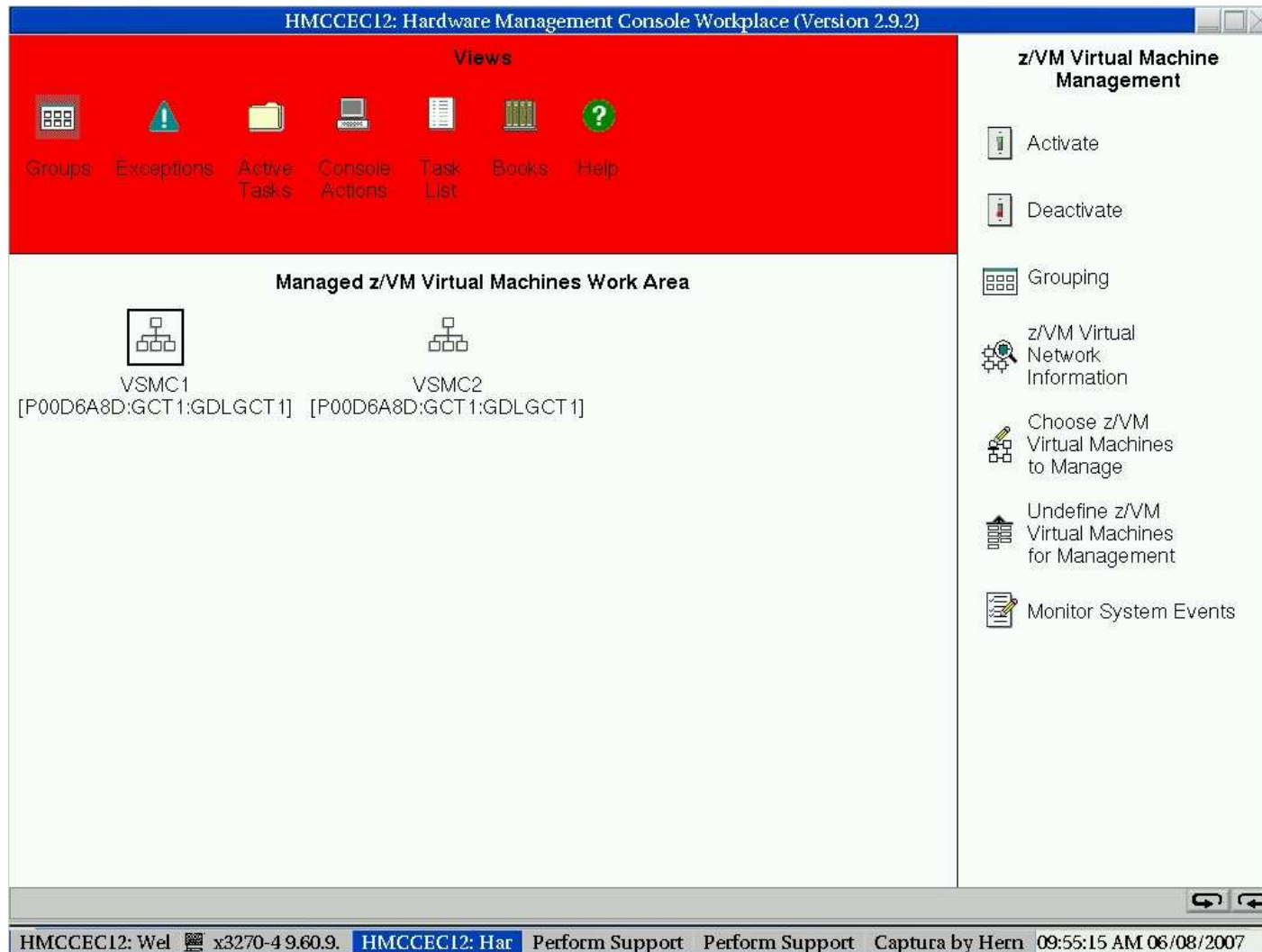
Select or deselect the z/VM virtual machines that are to be managed by this console.

Select	Virtual machine name
<input type="checkbox"/>	EFANOV
<input type="checkbox"/>	EREP
<input type="checkbox"/>	FTPSEIVE
<input type="checkbox"/>	GCS
<input type="checkbox"/>	LATYPOVA
<input type="checkbox"/>	MARUSOV
<input type="checkbox"/>	MPROUTE
<input type="checkbox"/>	OPERATOR
<input type="checkbox"/>	OPERSYMP
<input type="checkbox"/>	PVM
<input type="checkbox"/>	REXECD
<input type="checkbox"/>	RSCS
<input type="checkbox"/>	RSCSDNS
<input type="checkbox"/>	SAK00001
<input type="checkbox"/>	TCPIP
<input type="checkbox"/>	VMSEVR
<input type="checkbox"/>	VMSEVRS
<input type="checkbox"/>	VMSEVVU
<input checked="" type="checkbox"/>	VSMC1
<input checked="" type="checkbox"/>	VSMC2

OK Cancel Help

HMCCEC12: x3270-4 9.60 HMCCEC12: Perform Supp Perform Supp Captura by He HMCCEC12: 09:40:53 AM 06/08/2007

z/VM Integrated Systems Management ...



z/VM Integrated Systems Management ...

HMCCEC12: Hardware Management Console Workplace (Version 2.9.2)

Views

Groups Exceptions Active Tasks Console Actions Task List Books Help

z/VM Virtual Machine Management

- Activate
- Deactivate
- Grouping
- z/VM Virtual Network Information
- Choose z/VM Virtual Machines to Manage
- Undefine z/VM Virtual Machines for Management
- Monitor System Events

Virtual Network Information for GCT2

Guest LAN Virtual Switch

Guest LANs

- HIPERA
- HIPERB
- QDIOA
- VSL2SW2

LAN Details

LAN Name: HIPERA
 LAN Owner: SYSTEM
 LAN Type: Simulated Hipersockets
 Connected Adapters:

Adapter Owner	Image Device Number
TCPIPA	AD00
TCPIP19	1903
TCPIP20	2003

Cancel Help

P00D6A8D GCT1 (GDLGCT1) P00D6A8D GCT2 (GDLGCT2) P00D6A8D GST1 (GDLGST1) P00D6A8D GST2 (GDLGST2) P0LXSM12 LP04 P0LXSM12 LP05 P0LXSM12 LP11 P0LXSM12 LP12 P0LXSM12 LP13 P0LXSM12 LP14 P0LXSM12 LP15 P0LXSM12 LP16

HMCCEC12: x3270-4 9.60 HMCCEC12: Perform Supp Perform Supp Captura by He Virtual Networ 09:43:22 AM 06/08/2007

z/VM Integrated Systems Management ...

The screenshot displays the HMCCEC12: Hardware Management Console Workplace (Version 2.9.2) interface. The main window shows a tree view of system components, including P00D6A8D GCT1 (GDLGCT1), P00D6A8D GCT2 (GDLGCT2), P00D6A8D GST1 (GDLGST1), P00D6A8D GST2 (GDLGST2), P0LXSM12 LP04, P0LXSM12 LP05, P0LXSM12 LPC, P0LXSM12 LP11, P0LXSM12 LP12, and P0LXSM12 LP13. A modal dialog titled "Virtual Network Information for GCT2" is open, showing details for a Virtual Switch. The dialog has tabs for "Guest LAN" and "Virtual Switch".

Virtual Network Information for GCT2

Virtual Switch: VSL2SW2

Virtual Switch Details

Transport Type:	Ethernet	Port Type:	Trunk
Queue Memory Limit:	8	Routing:	Will act as a router
VLAN ID:	1	MAC ID:	02-6f-5c-00-00-03
Native VLAN ID:	1	<input checked="" type="checkbox"/> GVRP Requested	
Switch Status:	OSA Device Ready	<input checked="" type="checkbox"/> GVRP Enabled	
Real Device:	15104		

Real Device Details

Controller Name:	CONTROL2	Port Name:	VSL2SW2
Device Status:	Active	Error Status:	No Error

Authorized User: LINUX5
2NDLYR2

Authorized VLAN IDs

7

Buttons: Cancel, Help

System tray: HMCCEC12: x3270-4 9.60 HMCCEC12: Perform Supp Perform Supp Captura by He Virtual Networ 09:43:58 AM 06/08/2007

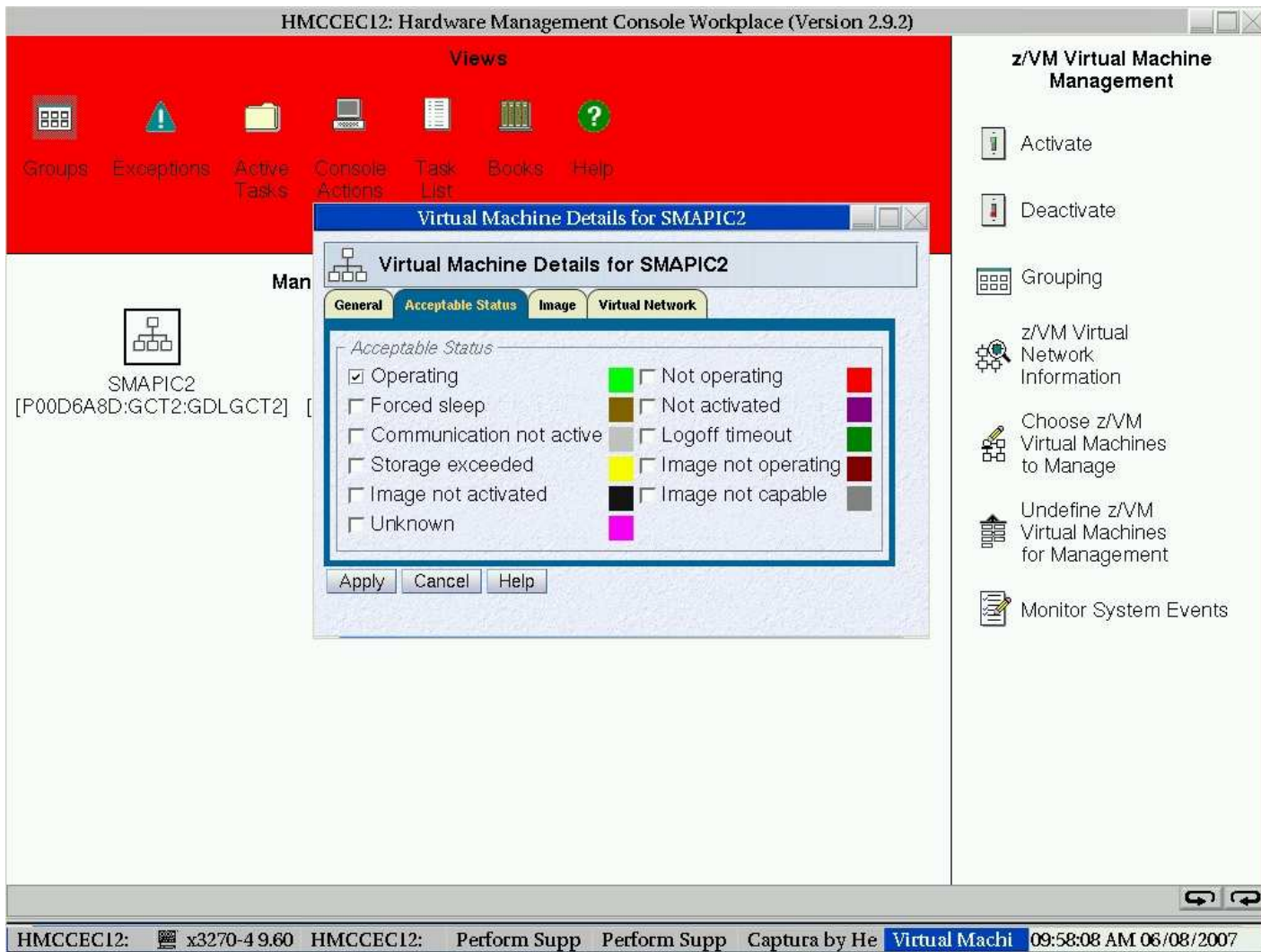
z/VM Integrated Systems Management ...

The screenshot displays the HMCCEC12: Hardware Management Console Workplace (Version 2.9.2) interface. The main window is titled "z/VM Virtual Machine Management" and features a red header bar with navigation icons for Groups, Exceptions, Active Tasks, Console Actions, Task List, Books, and Help. A central pane shows a tree view with a node for "SMAPIC2 [P00D6A8D:GCT2:GDLGCT2]". A modal dialog titled "Virtual Machine Details for SMAPIC2" is open, showing the following information:

Virtual Machine Details for SMAPIC2	
General	
Host server:	P00D6A8D
Host image:	GCT2
Host operating system name:	GDLGCT2
Status:	Operating

The dialog also includes "Apply", "Cancel", and "Help" buttons. The right-hand pane contains a list of management actions: Activate, Deactivate, Grouping, z/VM Virtual Network Information, Choose z/VM Virtual Machines to Manage, Undefine z/VM Virtual Machines for Management, and Monitor System Events. The status bar at the bottom shows system information including "x3270-4 9.60", "Perform Supp", and a timestamp of "09:57:06 AM 06/08/2007".

z/VM Integrated Systems Management ...



z/VM Integrated Systems Management ...

HMCCEC12: Hardware Management Console Workplace (Version 2.9.2)

Views

Groups Exceptions Active Tasks Console Actions Task List Books Help

Virtual Machine Details for SMAPIC2

Virtual Machine Details for SMAPIC2

General Acceptable Status Image Virtual Network

Memory Size: 64 MB
 Share Type: Relative
 Share Value: 100
 Number of CPUs: 1

CPU Information

ID	Number	Status
FF026A8D20948000	0	Base

Device Information

Address	Type
0009	Console
000C	Reader
000D	Punch
000E	Print
0100	DASD

Apply Cancel Help

z/VM Virtual Machine Management

- Activate
- Deactivate
- Grouping
- z/VM Virtual Network Information
- Choose z/VM Virtual Machines to Manage
- Undefine z/VM Virtual Machines for Management
- Monitor System Events

HMCCEC12: x3270-4 9.60 HMCCEC12: Perform Supp Perform Supp Captura by He Virtual Machi 09:58:32 AM 06/08/2007

z/VM Integrated Systems Management ...

HMCCEC12: Hardware Management Console Workplace (Version 2.9.2)

Views

Groups Exceptions Active Tasks Console Actions Task List Books Help

z/VM Virtual Machine Management

Activate Deactivate Grouping

Managed z/VM Virtual Machines Work Area

Virtual Machine Details for TCP/IP19

Virtual Machine Details for TCP/IP19

General Acceptable Status Image **Virtual Network**

The following virtual network adapters are defined for this virtual machine.

Device	Type	Status	Number of devices	LAN name	LAN owner
1900	QDIO	Coupled and active	3	QDIOA	SYSTEM
1903	Hipersockets	Coupled but not active	3	HIPERA	SYSTEM
1906	Hipersockets	Coupled but not active	3	HIPERB	SYSTEM

Apply Cancel Help

SMAPIC2 [P00D6A8D:GCT2:G...]
VSMC2 [P00D6A8D:GCT1:G...]

Virtual Machine Information
Use z/VM Virtual Machine Management
Define z/VM Virtual Machine Management
Monitor System Events

HMCCEC12: x3270-4 9.60 HMCCEC12: Perform Supp Perform Supp Captura by He Virtual Machi 10:03:50 AM 06/08/2007

z/VM Integrated Systems Management ...

HMCCEC12: Hardware Management Console Workplace (Version 2.9.2)

Views

Groups Exceptions Active Tasks Console Actions Task List Books Help

z/VM Virtual Machine Management

Activate

HMCCEC12: Activate Task Confirmation

Activate Task Confirmation

Please review the following confirmation text for each target object before proceeding with the task.
Do you want to continue with this task?

Object Name	Activation Profile	Last Used Profile	Confirmation Text
[P00D] VSMC 1:[P00D6A8D:GCT1:GDLGCT1]	Not applicable	Not applicable	Warning Activate will cause operations to be disrupted, since t currently in use and operating normally.

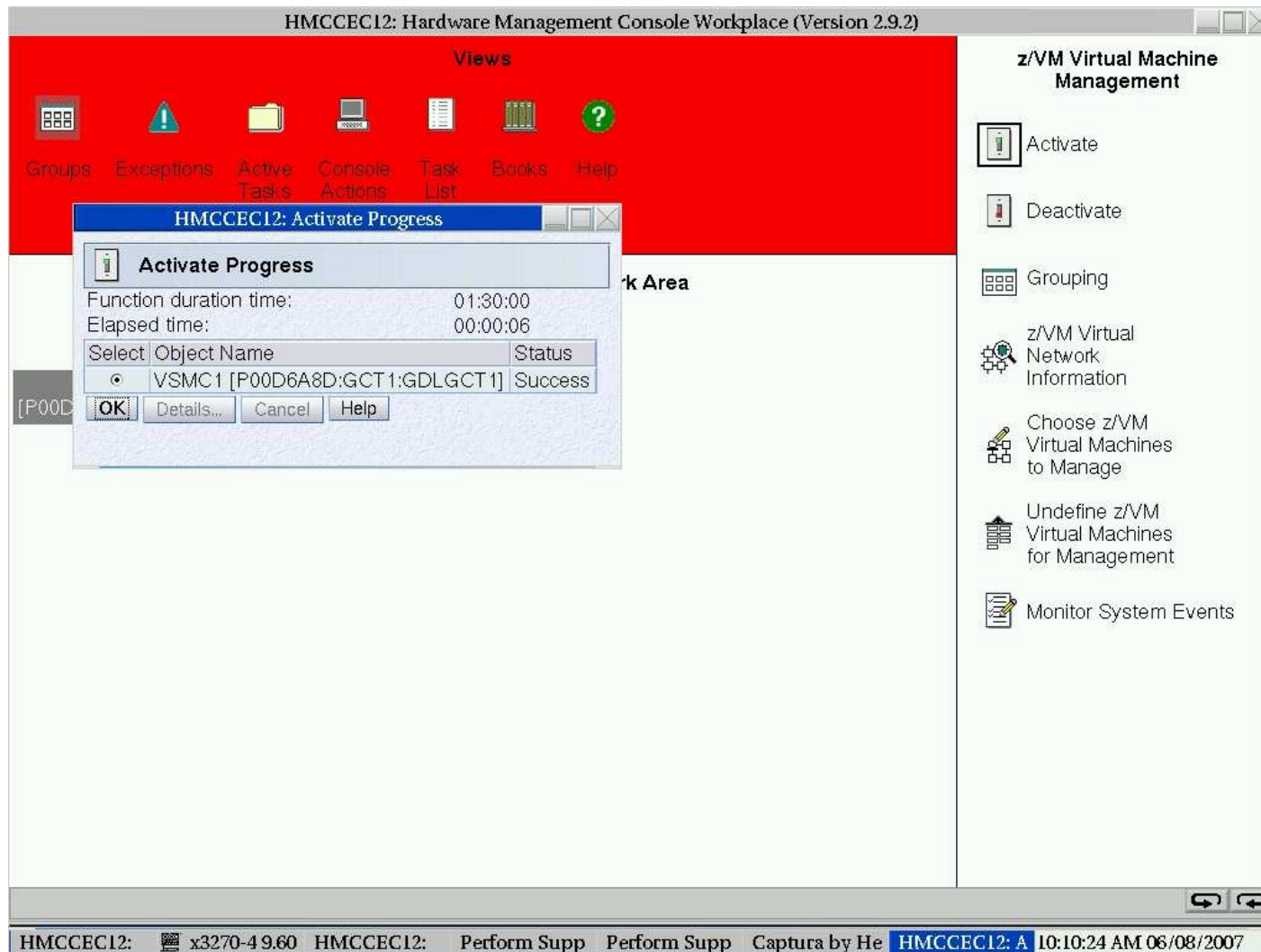
To view an activation profile for a partition, click "View Activation Profile".

Yes **No** View Activation Profile... Help

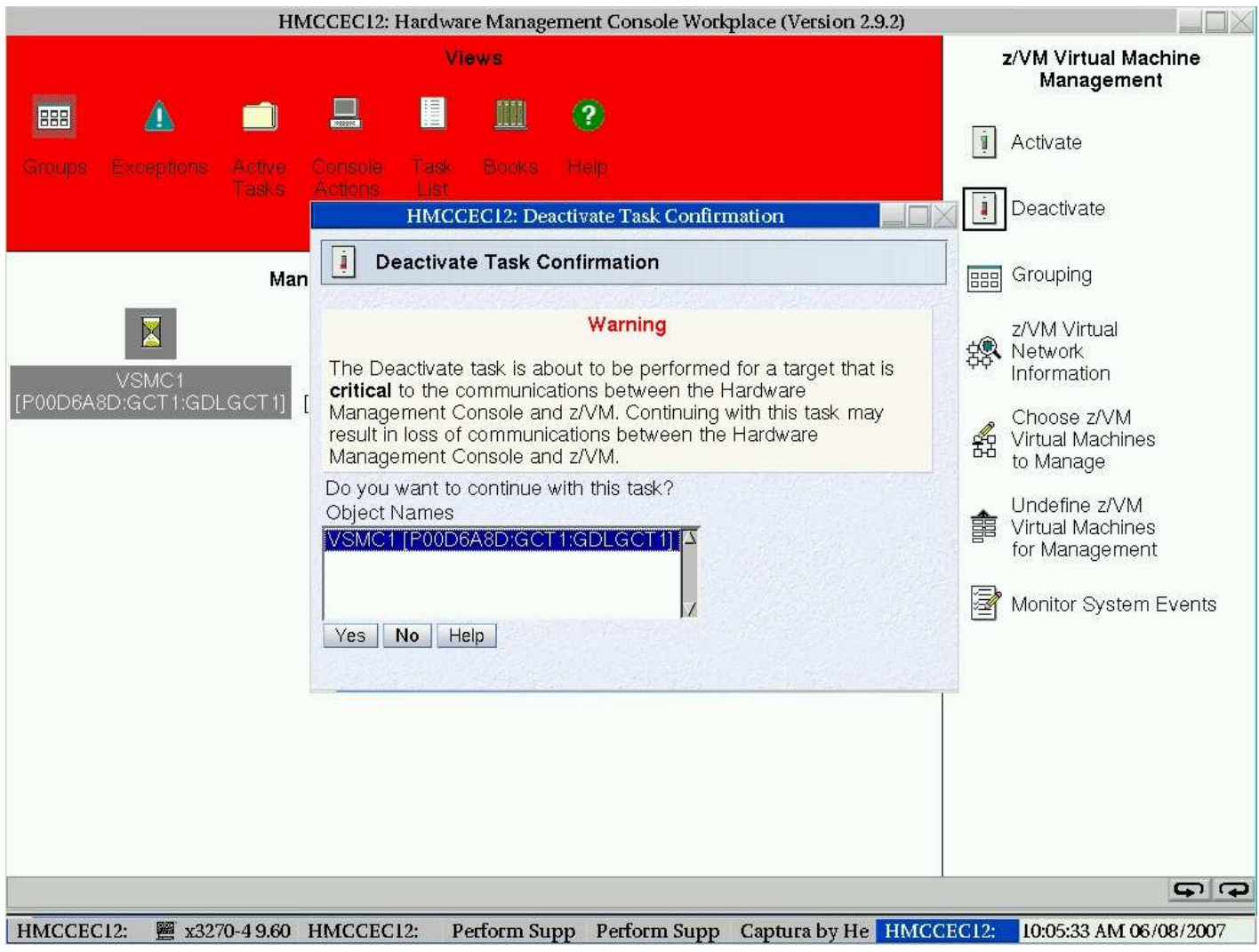
Monitor System Events

HMCCEC12: x3270-4 9.60 HMCCEC12: Perform Supp Perform Supp Captura by He HMCCEC12: A 10:05:12 AM 06/08/2007

z/VM Integrated Systems Management ...



z/VM Integrated Systems Management ...



z/VM Integrated Systems Management ...

The screenshot shows the HMCCEC12: Hardware Management Console Workplace (Version 2.9.2) interface. A red 'Views' bar at the top contains icons for Groups, Exceptions, Active Tasks, Console Actions, Task List, Books, and Help. Below this, a 'z/VM Virtual Machine Management' panel is visible on the right, with options like Activate, Deactivate, Grouping, z/VM Virtual Network Information, Choose z/VM Virtual Machines to Manage, Undefine z/VM Virtual Machines for Management, and Monitor System Events. A central dialog box titled 'HMCCEC12: Deactivate Progress' is open, displaying the following information:

Deactivate Progress

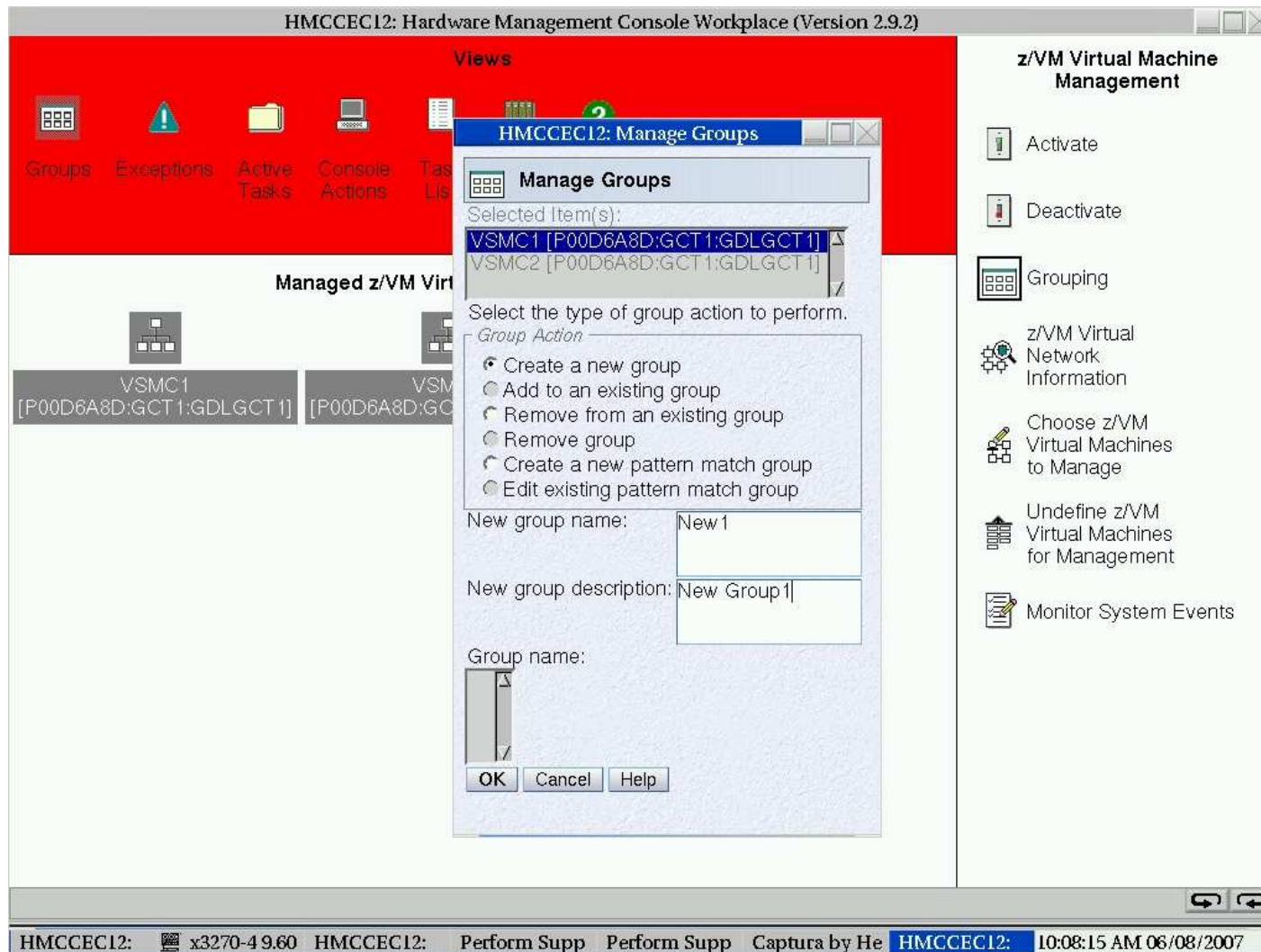
Function duration time: 00:15:00
 Elapsed time: 00:00:06

Select	Object Name	Status
<input checked="" type="radio"/>	VSMC1 [P00D6A8D:GCT1:GDLGCT1]	Success

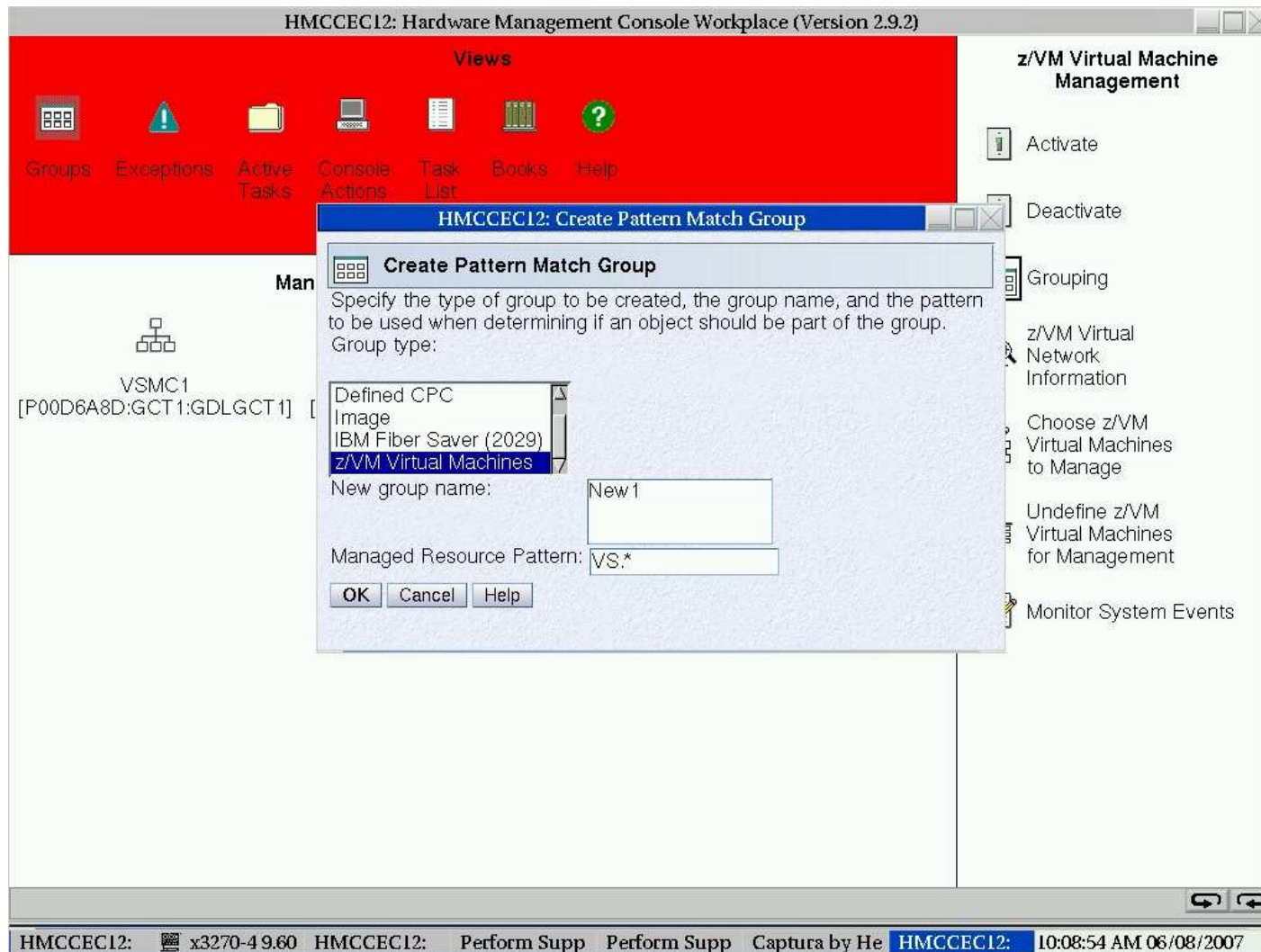
Buttons: [OK] [Details...] [Cancel] [Help]

The status bar at the bottom of the window shows: HMCCEC12: x3270-4 9.60 HMCCEC12: Perform Supp Perform Supp Captura by He HMCCEC12: 10:09:59 AM 06/08/2007

z/VM Integrated Systems Management ...



z/VM Integrated Systems Management ...



z/VM Integrated Systems Management ...

HMCCEC12: Hardware Management Console Workplace (Version 2.9.2)

Views

HMCCEC12: Event Monitor Summary

Event Monitor Summary

Settings

SMTP Server: 9.56.224.217

SMTP Port: *25

Minimum time between emails:* 300
(in seconds, minimum of 60)

Monitors

Select	Name	Description	Enabled
<input type="radio"/>	DTC-DISK Activate	DTCVSW1 & DTCVSW2	<input checked="" type="checkbox"/>
<input type="radio"/>	EREP	Image NOT activated	<input checked="" type="checkbox"/>
<input type="radio"/>	Forced Sleep	Forced Sleep condition for Maint	<input checked="" type="checkbox"/>
<input type="radio"/>	HW Msg Example	Example hardware message monitor.	<input type="checkbox"/>
<input type="radio"/>	Logoff Timeout	Logoff Timeout for Sysmon	<input checked="" type="checkbox"/>
<input type="radio"/>	Maint & Operator	Logoff Timeout	<input checked="" type="checkbox"/>
<input type="radio"/>	OS Msg Example	Example operating system message monitor.	<input type="checkbox"/>
<input type="radio"/>	OSADMIN	OSADMIN Operating	<input checked="" type="checkbox"/>
<input checked="" type="radio"/>	State Change Example	This is example of a state change monitor.	<input type="checkbox"/>
<input type="radio"/>	Storage Exceeded	Storage Exceeded on OSADMIN	<input checked="" type="checkbox"/>
<input type="radio"/>	VM CFT	CFT images	<input checked="" type="checkbox"/>

Add... Edit... Delete

OK Test... Help

z/VM Virtual Machine Management

- Activate
- Deactivate
- Grouping
- z/VM Virtual Network Information
- Choose z/VM Virtual Machines to Manage
- Undefine z/VM Virtual Machines for Management
- Monitor System Events

HMCCEC12: x3270-4 9.60 HMCCEC12: Perform Supp Perform Supp Captura by He HMCCEC12: E 10:13:44 AM 06/08/2007

z/VM Integrated Systems Management ...

HMCCEC12: Event Monitor Editor

Event Monitor Editor

1. Monitor name:

2. Description (optional):

3. What event type should be monitored?

- State Changes
- Hardware Messages
- Operating System Messages

4. What objects should be monitored?

Select	Object Name
<input type="checkbox"/>	P00D6A8D
<input type="checkbox"/>	P00D6A8D GCT1
<input type="checkbox"/>	P00D6A8D GCT2
<input type="checkbox"/>	P00D6A8D GEXT1
<input type="checkbox"/>	P00D6A8D GEXT2
<input type="checkbox"/>	P00D6A8D GINS

5. What event text should cause notification?

6. When should this monitor be in effect?

Limit to times: Start Time: End Time:

Limit to days: Sunday Monday Tuesday Wednesday
 Thursday Friday Saturday

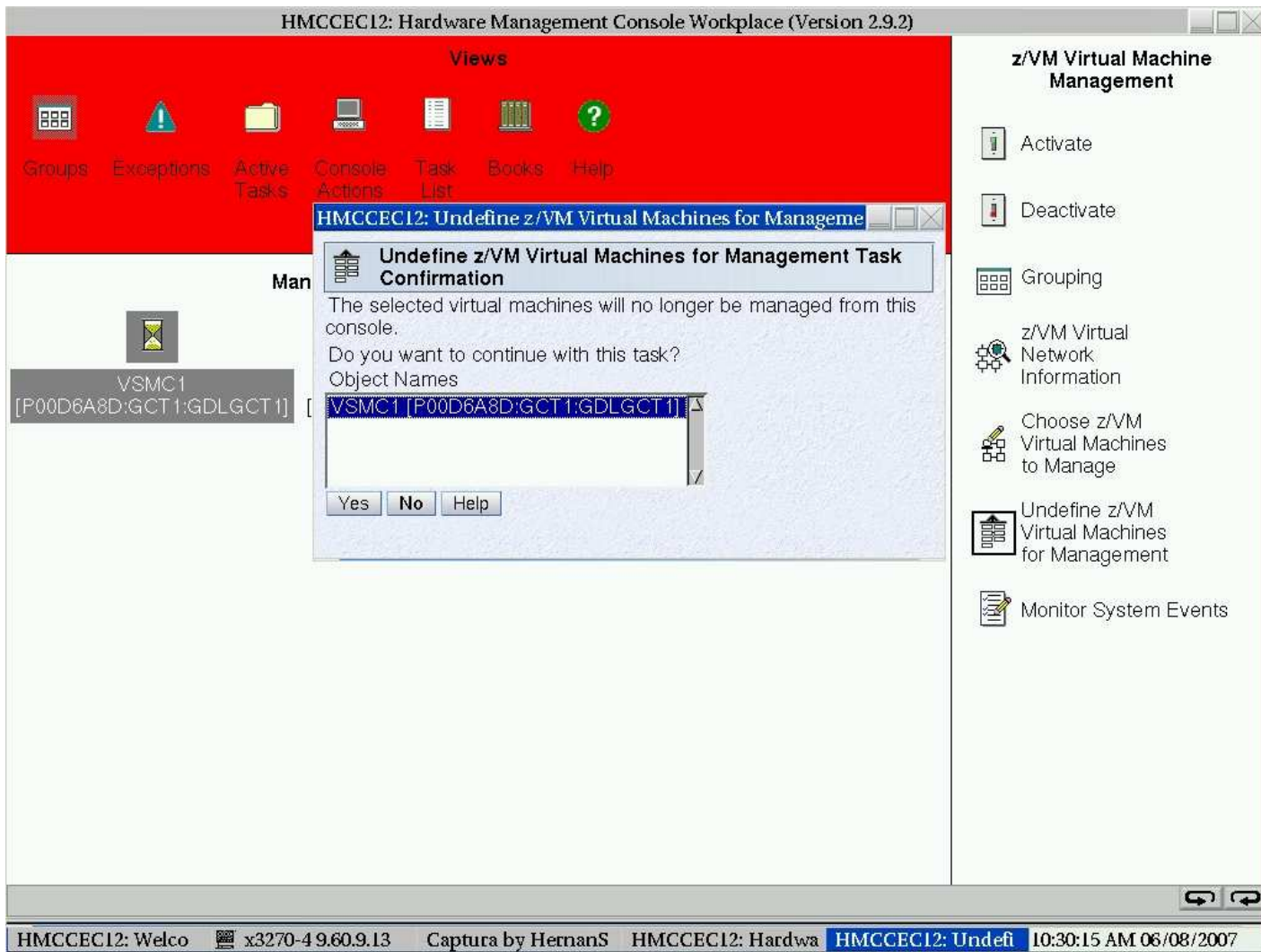
Limit to dates: Start Date: End Date:

7. What email addresses should be notified?

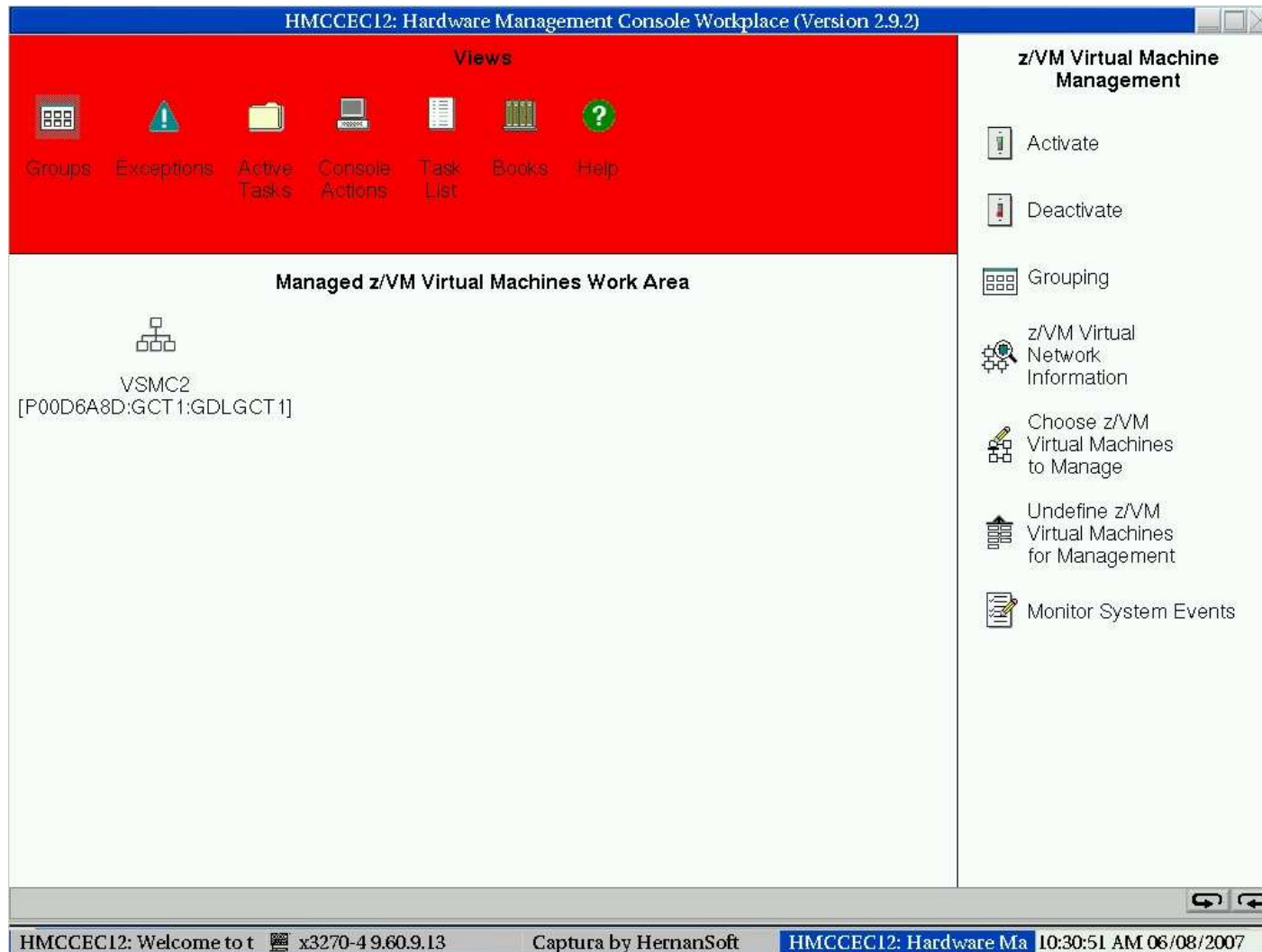
OK Cancel Help

HMCCEC12: x3270-4 9.60 HMCCEC12: Perform Supp Perform Supp Captura by He HMCCEC12: E 10:16:58 AM 06/08/2007

z/VM Integrated Systems Management ...



z/VM Integrated Systems Management ...



z/VM Integrated Systems Management ...

HMCCEC12: Hardware Management Console Workplace (Version 2.9.2)

Hardware Management Console

permode Help Logoff

Welcome

Systems Management

- Servers
 - P00D6A8D
 - P00D6A8D GCT1 (GDLGCT1)
 - P00D6A8D GCT2 (GDLGCT2)
 - P0LXSM12
 - T25A
- Custom Groups
- Unmanaged Resources

HMC Management

Service Management

Contents of: P00D6A8D GCT1 (GDLGCT1)

Tasks

Select	Name	Status	Server	Image	z/VM host OS name
<input checked="" type="checkbox"/>	VSMC1	Operating	P00D6A8D	GCT1	GDLGCT1
<input type="checkbox"/>	VSMC2	Operating	P00D6A8D	GCT1	GDLGCT1

Total: 2 Filtered: 2 Selected: 1

Tasks: VSMC1 [P00D6A8D:GCT1:GDLGCT1]

- z/VM Virtual Machine Details
- Toggle Lock
- Daily
 - Activate
 - Deactivate
 - Grouping
- z/VM Virtual Machine Management
 - Monitor System Events
 - Undefine z/VM Virtual Machines for Management

Status: Exceptions and Messages

HMCCEC12: Welcome to t x3270-4.9.60.9.13 Captura by HernanSoft HMCCEC12: Hardware Ma 10:26:51 AM 06/08/2007

z/VM Integrated Systems Management ...

HMCCEC12: Hardware Management Console Workplace (Version 2.9.2)

Hardware Management Console

permode Help Logoff

Welcome

Systems Management

- Servers
 - P00D6A8D
 - P00D6A8D GCT1 (GDLGCT1)
 - P00D6A8D GCT2 (GDLGCT1)
 - P0LXSM12
 - T25A
- Custom Groups
- Unmanaged Resources

HMC Management

Service Management

Contents of: P00D6A8D GCT1 (GDLGCT1)

Tasks

Select	Name	Status	Server	Image	z/VM host OS name
<input checked="" type="checkbox"/>	VSMC1		P00D6A8D	GCT1	GDLGCT1
<input type="checkbox"/>	VSMC2		P00D6A8D	GCT1	GDLGCT1

z/VM Virtual Machine Details

Toggle Lock

Daily

z/VM Virtual Machine Management

Tasks: VSMC1 [P00D6A8D:GCT1:GDLGCT1]

- z/VM Virtual Machine Details
- Toggle Lock
- Daily**
 - Activate
 - Deactivate
 - Grouping
- z/VM Virtual Machine Management**
 - Monitor System Events
 - Undefine z/VM Virtual Machines for Management

Status: Exceptions and Messages

HMCCEC12: Welcome to t x3270-4.9.60.9.13 Captura by HernanSoft HMCCEC12: Hardware Ma 10:28:12 AM 06/08/2007

z/VM Integrated Systems Management ...

- **No configuration or setup required**
- **Supported on any System z**
- **HMC must be at or above level 2.9.2**
- **Support Element (SE) must be at or above**
 - ▶ **2.9.2 for z9 EC and z9 BC**
 - ▶ **1.8.2 for z990 and z890**
 - ▶ **1.7.3 for z900 and z800**
- **Requires MCL G40946 and PTFs for APARs VM64233 and VM64234**

Miscellaneous

- **Shutdown message time stamps**
- **SYSEVENT Query Virtual Server**
- **TRSOURCE for LDEVs**
- **QUERY IUCV**

Miscellaneous ...

- **Shutdown Message Time Stamps**
 - ▶ **Shutdown progress (HCPWRP963I)**
 - ▶ **Dump information (HCPDMP9252I)**
 - ▶ **Dump progress (HCPDMP9260I)**
 - ▶ **Dump complete (HCPDMP9261I)**
 - ▶ **Shutdown complete (HCPWRP961W)**
 - ▶ **System termination complete (HCPWRP9277I)**

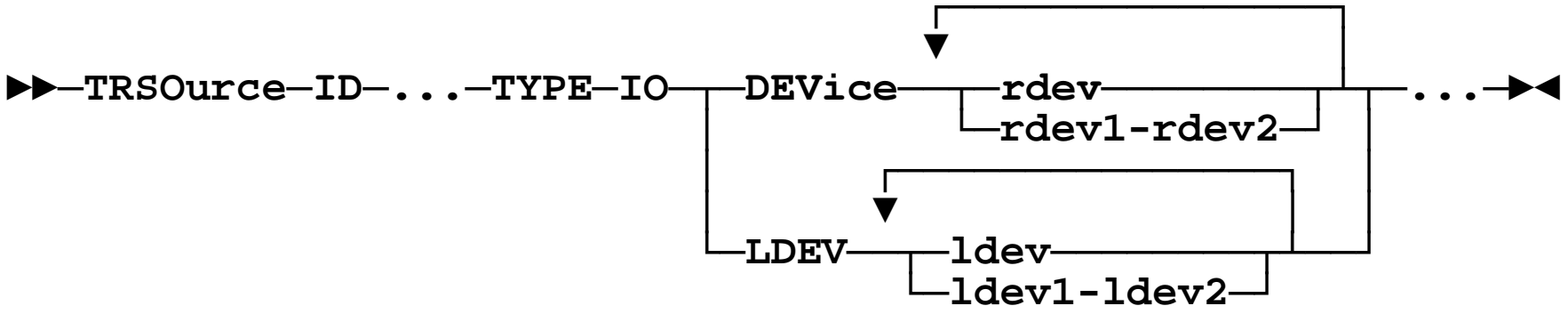
Miscellaneous ...

- **SYSEVENT Query Virtual Server**
 - ▶ Diagnose X'2E0'
 - ▶ Provides compatible equivalent of MVS SYSEVENT QVS service
 - Returns capacity in MSUs of CEC, LPAR, and virtual machine
 - Useful for sub-capacity pricing
 - Requested by ISV
 - ▶ APAR VM64122 for z/VM 5.1 and 5.2

Miscellaneous ...

- **TRSOURCE for LDEVs**
 - ▶ **Option of TRSOURCE TYPE IO**
 - **LDEV must exist when TRSOURCE issued**
 - ▶ **Produces TRF file showing traffic between CP and LDEV host**
 - ▶ **QUERY TRSOURCE shows “LDEV” and associated address(es)**
 - ▶ **TRACERED output reports “LDEV” and associated address**

TRSOURCE For LDEVs



Miscellaneous ...

- **QUERY IUCV**
 - ▶ **Allows any user to display information about own IUCV connections**
 - ▶ **Allows Class B user to display information about IUCV connections**
 - **For a specific user**
 - **For a specific IUCV System Service**

QUERY IUCV

▶▶ Query-IUCV ▶▶

▶▶ Query-IUCV ▶▶

	userid
USER	
*sys serv	

Statements of Direction

- **Common Criteria Certification**
- **3480 Distribution Medium**

Statements of Direction ...

- **Common Criteria Certification**

IBM intends to evaluate z/VM V5.3 with the RACF Security Server optional feature for conformance to the Controlled Access Protection Profile (CAPP) and Labeled Security Protection Profile (LSPP) of the Common Criteria standard for IT security, ISO/IEC 15408, at Evaluation Assurance Level 4 (EAL4).

This new SOD represents a modification to IBM's previously expressed Statement of Direction of July 27, 2005, which stated IBM's intent "to evaluate z/VM V5.2 with the RACF for z/VM optional feature for conformance to the Controlled Access Protection Profile (CAPP) and Labeled Security Protection Profile (LSPP) of the Common Criteria standard for IT security, ISO/IEC 15408, at Evaluation Assurance Level 4 (EAL4).“ Based on additional assessment of requirements, IBM no longer intends to evaluate z/VM V5.2.

Statements of Direction ...

- **3480 Distribution Medium**

IBM intends to withdraw 3480 tape as a distribution medium in a future z/VM release. z/VM is planned to continue distribution on 3590 tape and on DVD, and to be available for electronic delivery from ShopzSeries

The image shows a close-up, low-angle view of a server rack. The perspective is looking up at the top of the server units, which are dark grey or black. The IBM logo is prominently displayed in the center, rendered in a white, stylized font with horizontal stripes. Below the logo, the text '@server' is visible in a smaller, white font. The background features various server components, including a rectangular window or indicator light at the top, and several horizontal slots or handles on the left side. The lighting is dramatic, with strong highlights and deep shadows, emphasizing the industrial and technological nature of the scene.

IBM

@server