



Jump Starting Solution Deployments on Linux for zSeries

SHARE Long Beach - Session 9223

Jay Brenneman

rjbrenn@us.ibm.com

IBM Corporation



IBM Patterns for e-business

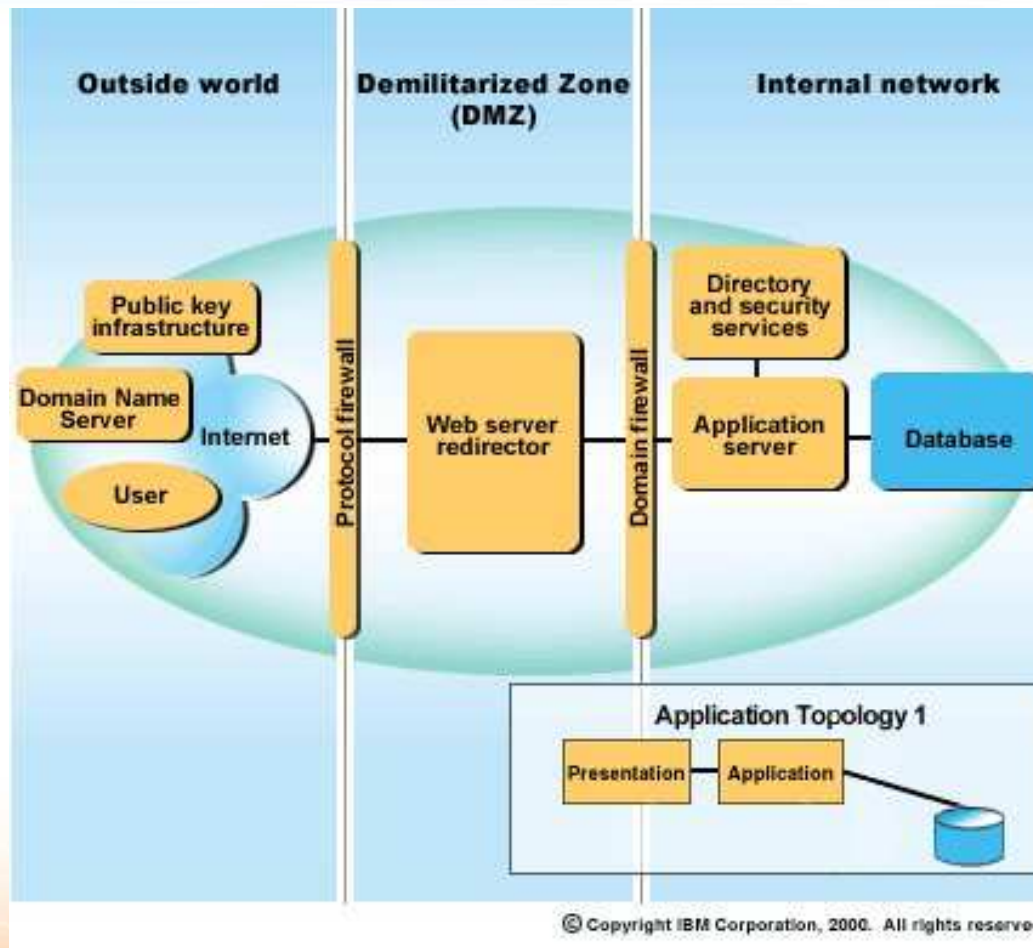


- Business Patterns identify the interaction between users, businesses, and data. Business patterns are used to create simple, end-to-end e-business applications.
 - Business Patterns: Self-Service, Collaboration, Information Aggregation, Extended Enterprise
- Self-Service (User-to-Business) Pattern: Provides for direct interaction between interested parties (users) and a business. Interested parties include customers, Business Partners, stakeholders, employees, and all other individuals with whom the business intends to interact.

Copyright 2004 IBM Corporation



Application Topology for Self-Service Business Pattern



Copyright 2004 IBM Corporation

Directly Integrated Self-Service Pattern: Topology 2

Requirements



Requirement Type	Requirement Description
Solution Scope	Solution can be installed on a new or existing IBM eServer zSeries 800 or 900 (z800 or z900) machines that support Integrated Facility for Linux (IFL) engines.
Solution Environment	Solution workloads should be able to coexist on the same machine with existing legacy workloads and new Linux workloads for server consolidation.
Scalability	Solution should be able to scale for e-business workload to utilize zSeries resources, such as number of IFL engines Solution in a basic topology should be able to scale "horizontally" (by adding more virtual servers) into a topology that supports Workload Management and High Availability.
Performance	Solution should utilize new zSeries technologies that provide high-performance networking among LPARs and virtual machines
Usability	Solution should help minimize deployment time Solution should provide help in sizing the environment
Integration	Solution should help integrate new J2EE application with existing z/OS® applications

Copyright 2004 IBM Corporation



Solution Configurations

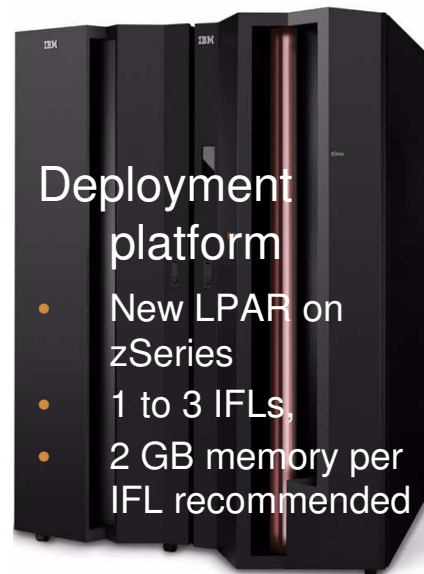


Topologies

- Internet and Intranet

Optional software

- DB2 Universal Database™
- DB2 and WebSphere MQ connectors to existing z/OS applications
- WebSphere MQ Server to communicate with MQ clients
- Tivoli Directory Server (LDAP)



Application server

- WebSphere Application Server or
- WebSphere Portal or
- both

High security level

- Optional use of Tivoli Access Manager for e-Business

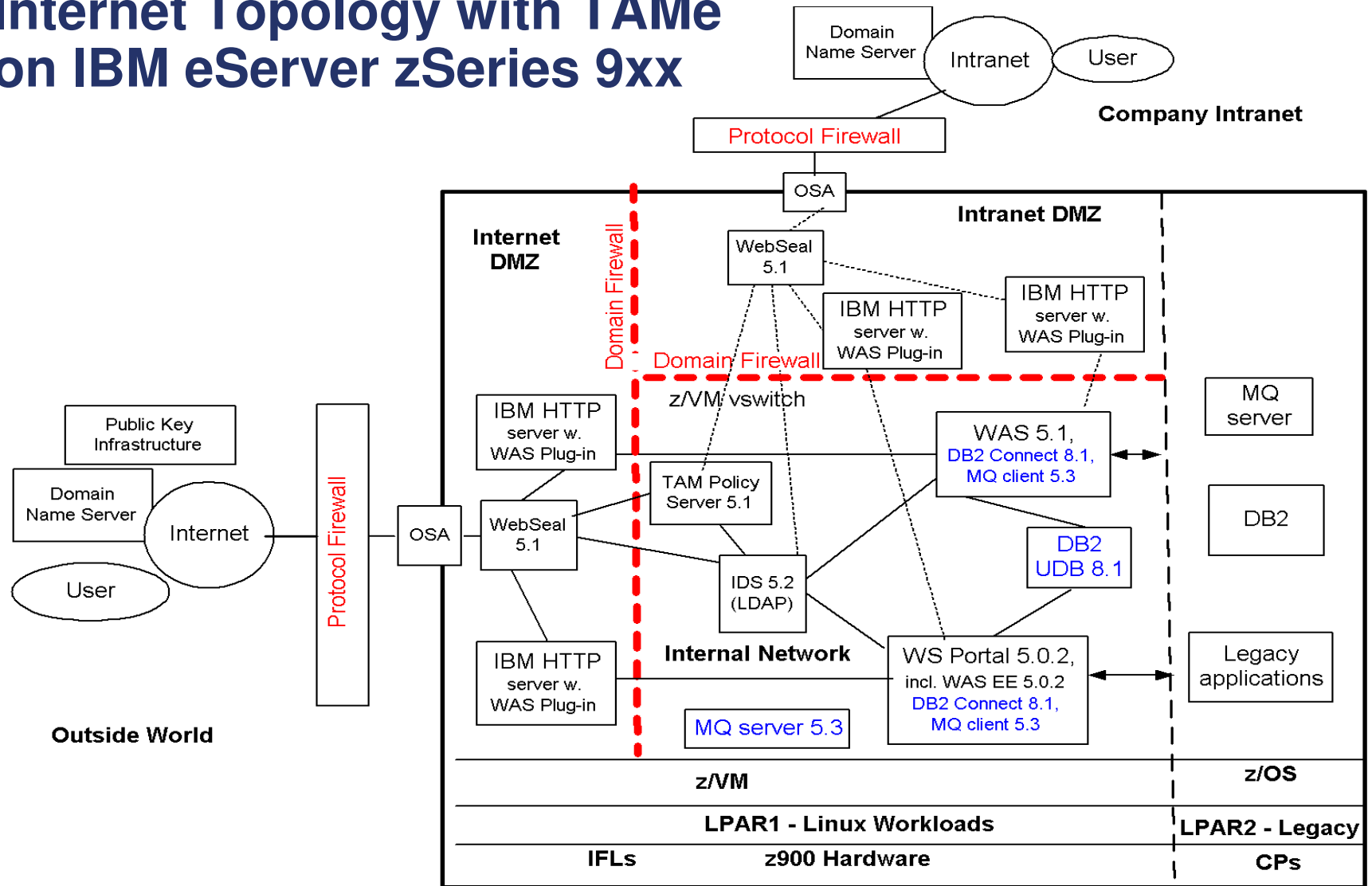
Inter-application communication

- High performance communication to existing applications or DBs in other LPAR or other zSeries

Copyright 2004 IBM Corporation

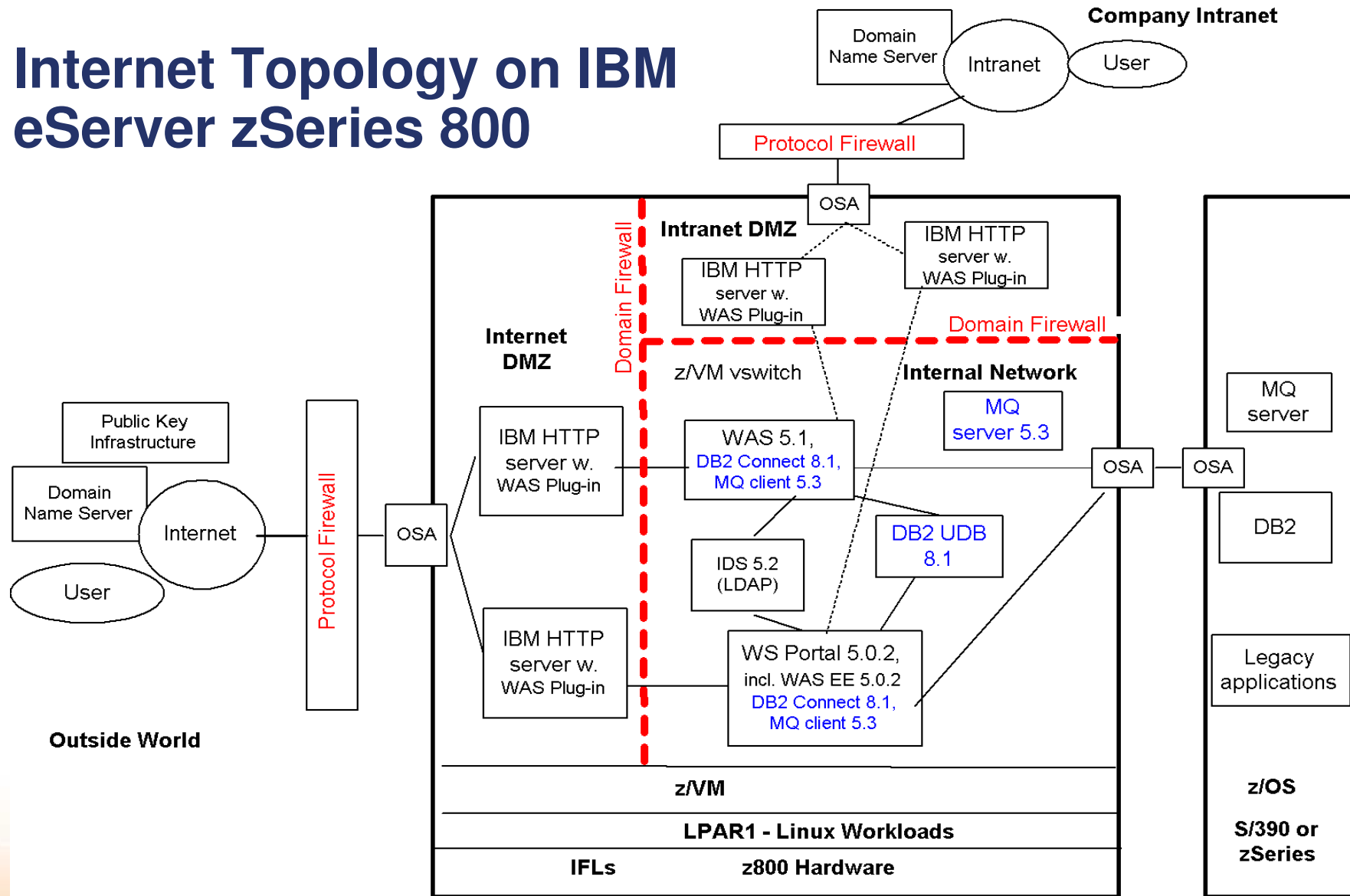


Internet Topology with TAME on IBM eServer zSeries 9xx



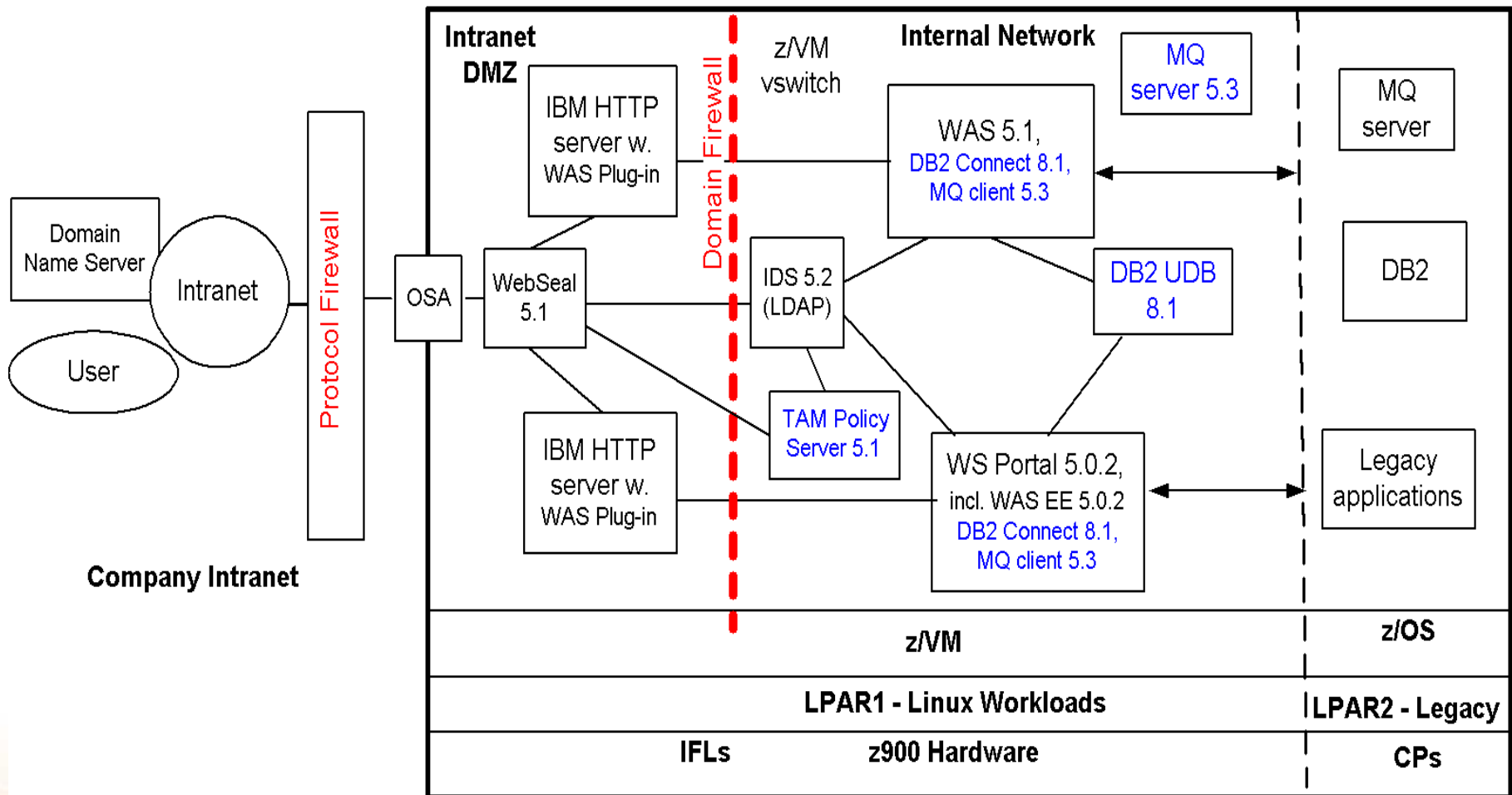
Note: Connections between servers in the different LPARs, marked as \longleftrightarrow will be implemented as HiperSockets
 Copyright 2004 IBM Corporation

Internet Topology on IBM eServer zSeries 800



Copyright 2004 IBM Corporation

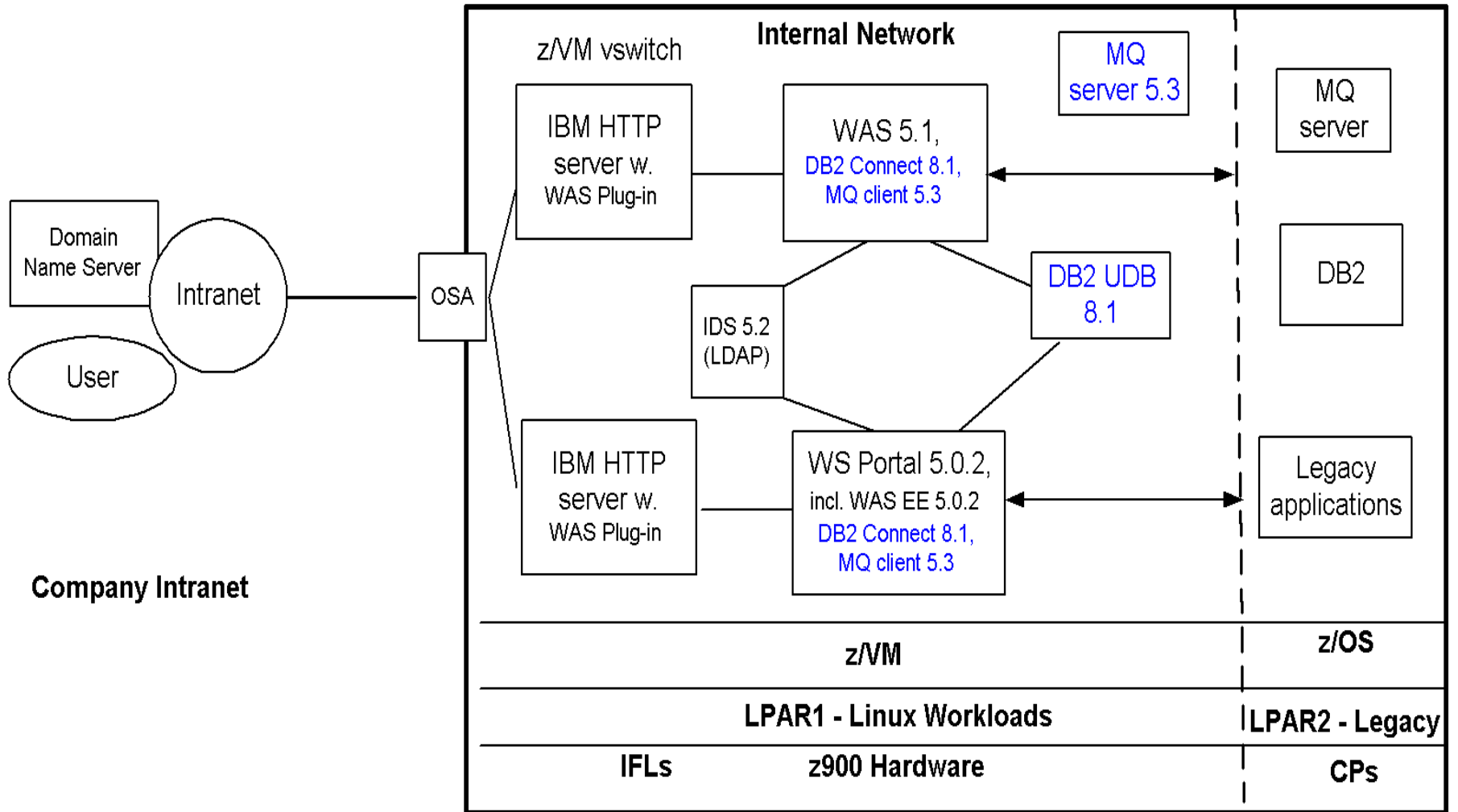
Intranet Topology with TAME on z9xx



Note: Connections between servers in the different LPARs, marked as \longleftrightarrow will be implemented as HiperSockets

Copyright 2004 IBM Corporation

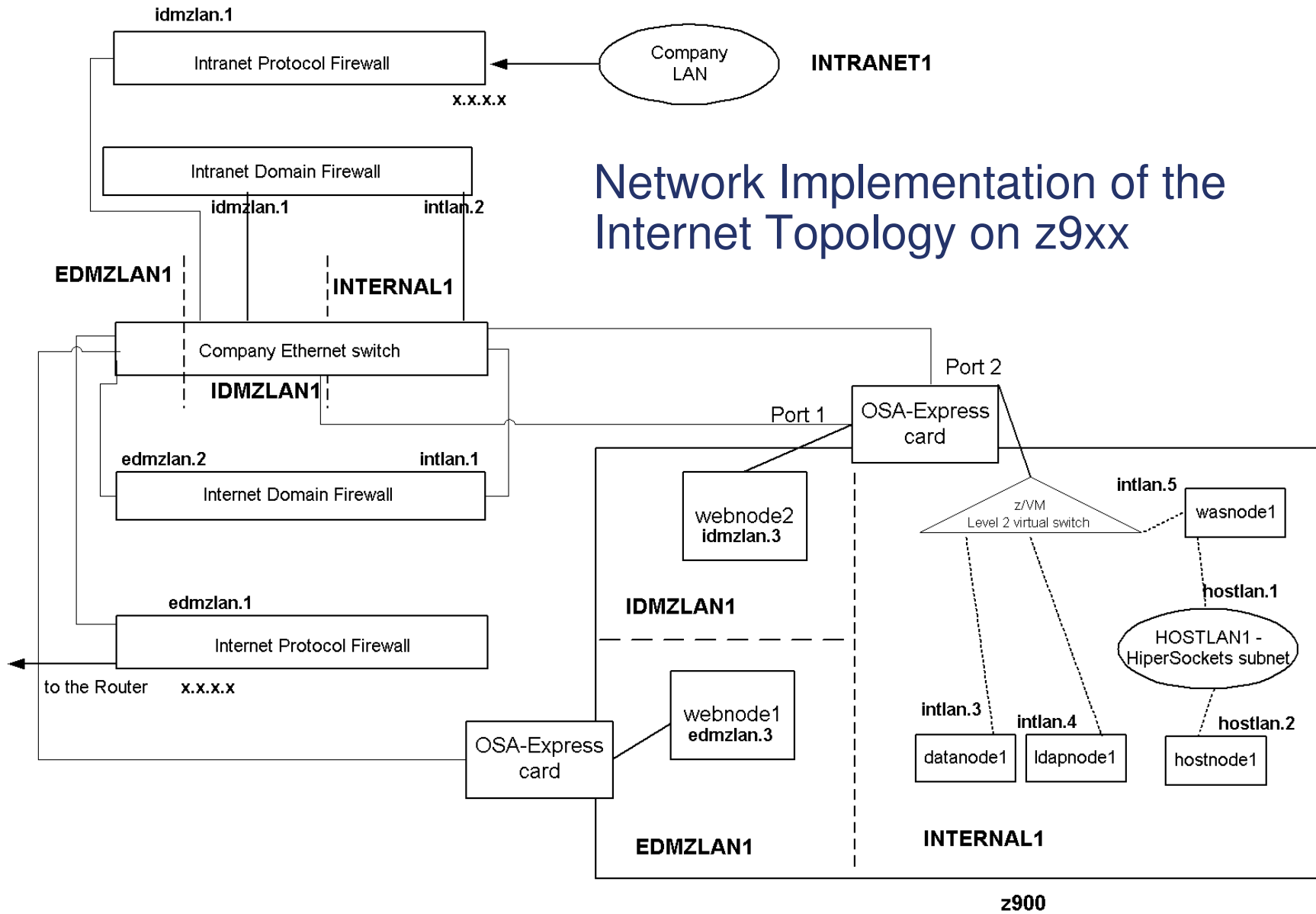
Intranet Topology on z9xx



Note: Connections between servers in the different LPARs, marked as \longleftrightarrow will be implemented as HiperSockets

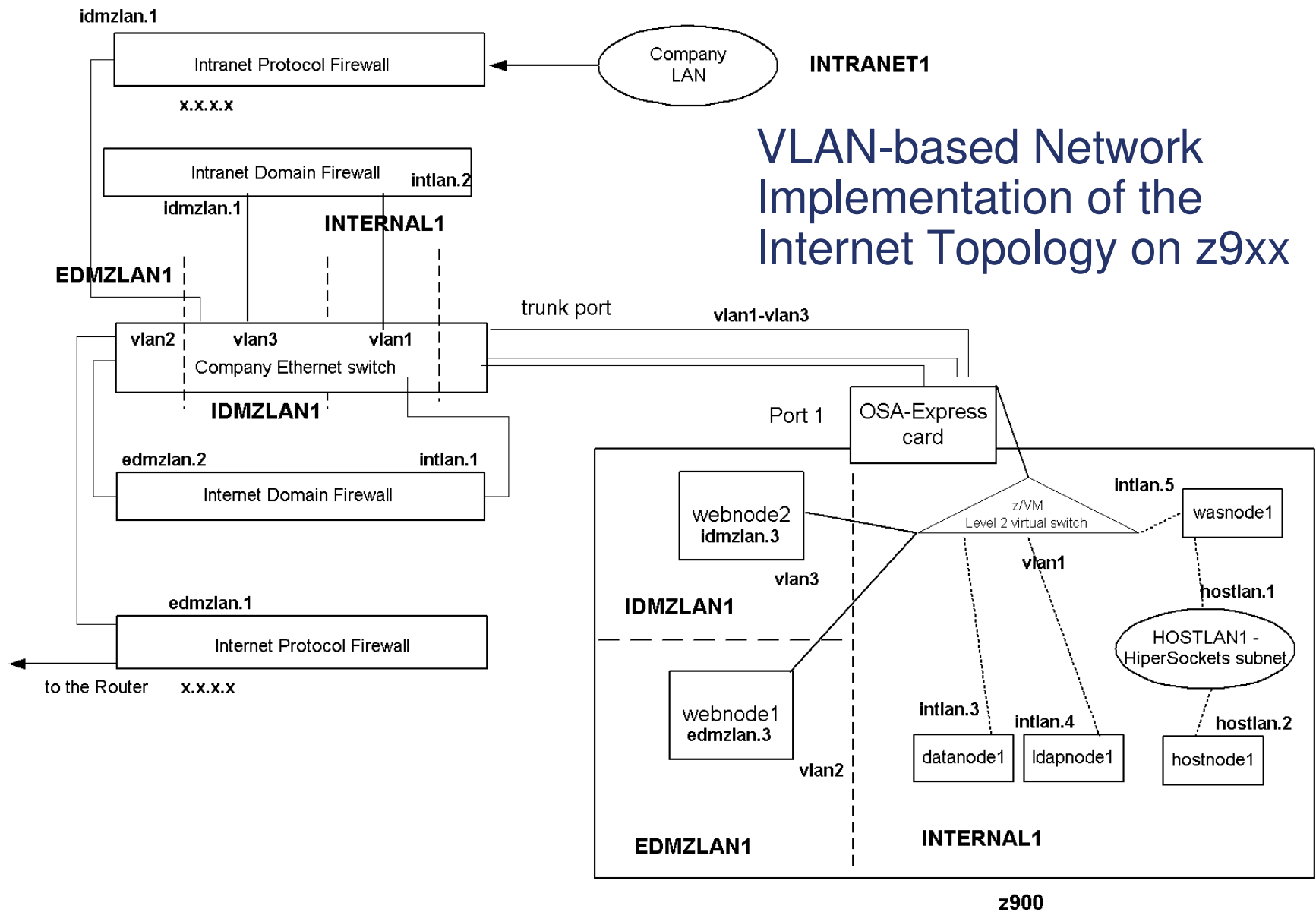
Copyright 2004 IBM Corporation

Network Implementation of the Internet Topology on z9xx



Copyright 2004 IBM Corporation

VLAN-based Network Implementation of the Internet Topology on z9xx



Copyright 2004 IBM Corporation

Memory and DASD Requirements

Functional Node	SW Product	Required Memory (MB)	Recom. Memory (MB)	Recom. Memory (MB) - high load
Web Server redirector	IBM HTTP server	128	512	1024
Application Server	WAS 5.1	1024	1536	2048
LDAP (optional)	IBM Directory Server 5.1	256	512	512
	Total w/o DB2	1408	2560	3584
Database server (optional)	DB2 UDB Enterprise Server Edition 8.1	256	512	1024
	Total with DB2	1664	3072	4608

Server Node	Installed Software (MB)	Temporary files (GB)	User Application data (GB)
HTTP	50	1-6	1-7
WAS	350	1-6	1-7
LDAP (optional)	250	1-6	1-7
DB2 (optional)	250	1-6	10-200

Copyright 2004 IBM Corporation

Related Web pages

IBM eServer Integrated Platform for e-business on zSeries*	ibm.com/servers/eserver/zseries/linux/integrated/
IBM eServer Integrated Platform for e-business**	ibm.com/servers/eserver/linux/integrated/
IBM Patterns for e-business	ibm.com/developerworks/patterns/
Documentation on Resource Link™	app-06.www.ibm.com/servers/resourcelink/hom03010.nsf/pages/integrated?OpenDocument&login (sign-in required)
Report script problem	www-124.ibm.com/developerworks/projects/blueice

* From the zSeries page you can get to the Resource Link pages

** The IBM eServer Integrated Platform for e-business landing page takes you to the Web pages for all IBM eServer brands

Copyright 2004 IBM Corporation

Fin

Copyright 2004 IBM Corporation